

ARC Mate 50iD



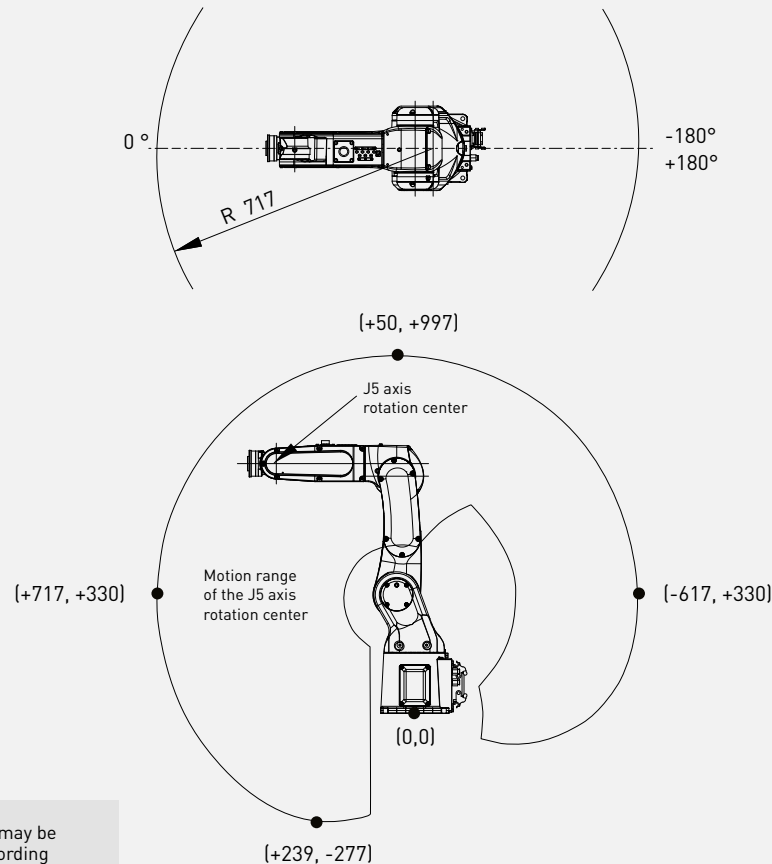
Max. load capacity
at wrist: **7 kg**



Max. reach:
717 mm

Controlled axes	Repeatability (mm)	Mechanical weight (kg)	Motion range (°)						Maximum speed (°/s)						J4 Moment/ Inertia (Nm/kgm ²)	J5 Moment/ Inertia (Nm/kgm ²)	J6 Moment/ Inertia (Nm/kgm ²)
			J1	J2	J3	J4	J5	J6	J1	J2	J3	J4	J5	J6			
6	± 0.018*	25	360	245	420	380	250	720	450	380	520	550	545	1000	16.6/0.47	16.6/0.47	9.4/0.15

Working range



Motion range may be restricted according to the mounting angle!

Robot

	ARC Mate 50iD
Robot footprint [mm]	190 x 190
Mounting position Floor	●
Mounting position Upside down	●
Mounting position Angle	●

Controller

	R-30iB Plus
Open air cabinet	-
Mate cabinet	●
A-cabinet	-
B-cabinet	-
iPendant Touch	●

Electrical connections

Voltage 50/60Hz 3phase [V]	-
Voltage 50/60Hz 1phase [V]	200-230
Average power consumption [kW]	0.5

Integrated services

Integrated signals on upper arm In/Out	6/2
Integrated air supply	1

Environment

Acoustic noise level [dB]	64.7
Ambient temperature [° C]	0-45

Protection

Body standard/optional	IP67/IP69K
Wrist & J3 arm standard/optional	IP67/IP69K

● standard ○ on request - not available () with hardware and/or software option

*Based on IS09283