

# FANUC

## Precise and fast compact handling



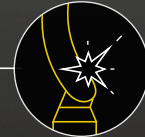
**LARGE HOLLOW WRIST**  
and hollow arm



**25 KG PAYLOAD**



**FULLY INTEGRATED CABLE MANAGEMENT**  
to eliminate interference



**SMOOTH SURFACES**  
to minimise dust  
and dirt collection



**SLIM AND CURVED J2 ARM**  
to minimise interference

**NEW**  
**M-20iD/25**



### High performance in a small footprint

- slim lightweight design for more throughput
- compact arm and wrist for maximum access
- ideal for crowded production environments
- smooth finish deters dirt and is easy to clean
- easy to install, plus internal cable routing prevents snagging
- Zero Down Time software for intelligent maintenance prediction and scheduling

# M-20iD/25

(Hollow wrist)



Max. load capacity  
at wrist: **25 kg**



Max. reach:  
**1831 mm**

Controlled axes	Repeatability (mm)	Mechanical weight (kg)	Motion range [°]						Maximum speed [°/s]						J4 Moment/Inertia (Nm/kgm <sup>2</sup> )	J5 Moment/Inertia (Nm/kgm <sup>2</sup> )	J6 Moment/Inertia (Nm/kgm <sup>2</sup> )
			J1	J2	J3	J4	J5	J6	J1	J2	J3	J4	J5	J6			
6	± 0.02*	250	340 (370)	260	458	400	280 (360)	540 (900)	-	210	210	420	420	720	-	52.0/2.4	32.0/1.2



## Robot

**M-20iD/25**  
 Robot footprint [mm] 343 x 343

Mounting position Floor

Mounting position Upside down

Mounting position Angle



## Controller

Open air cabinet

Mate cabinet

A-cabinet

B-cabinet

iPendant Touch

## R-30iB Plus

-

o

•

o

•

## Electrical connections

Voltage 50/60Hz 3phase [V] 380-575

Voltage 50/60Hz 1phase [V] -

Average power consumption [kW] 1

## Integrated services

Integrated signals on upper arm In/Out 8/8

Integrated air supply 1

## Environment

Acoustic noise level [dB] < 70

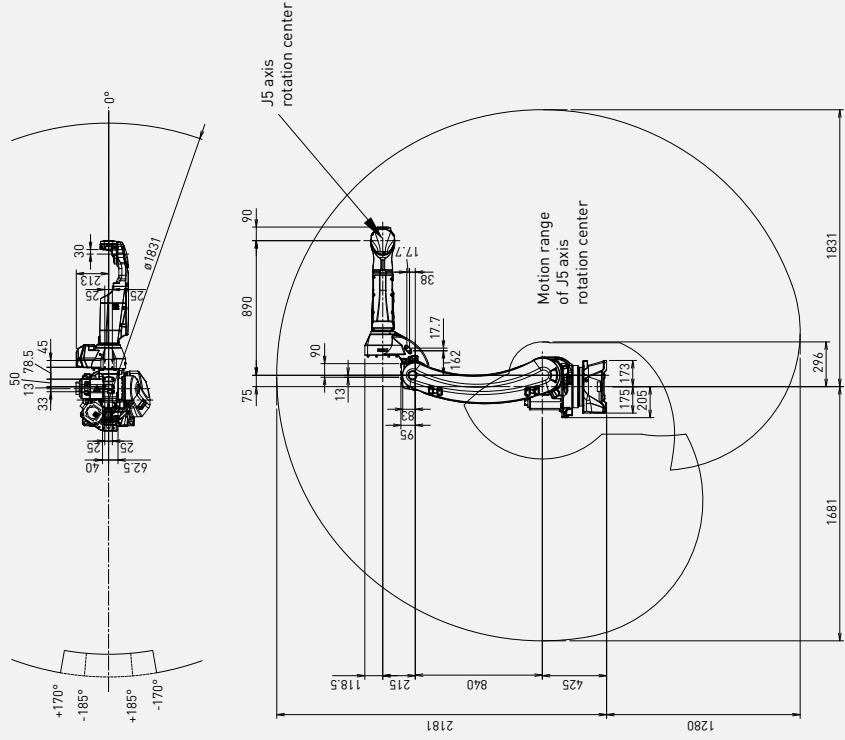
Ambient temperature [° C] 0-45

## Protection

Body standard/optional IP54/IP65

Wrist & J3 arm standard/optional IP67

## Working range



Motion range may be restricted according to the mounting angle!

\*Based on ISO9283  
 • standard o on request - not available ( ) with hardware and/or software option