



### Company Address

R&D Center: Building 7, No.66 Huiyuan Road Jiading District, Shanghai City, China

Factory: Building 10, No. 169 Lifa Avenue, Hai'an City, Jiangsu Province, China

Branches: Room 802, Building B2, Yunzhi Science Park No. 75 Mudun Road,  
Guangming Street, Guangming District, Shenzhen, China



### Tel.

400-778-9969

### E-mail

sales@turinrobot.com

### Official Website

www.turinrobot.com



**Shanghai Turin Smart Robot Co., Ltd.**







## COMPANY PROFILE



Turin Robotics a subsidiary of Shanghai Baosight Software Co., Ltd., is a leading provider of industrial intelligence and information technology centered around intelligent robots.

In 2009, the company was granted support from the Shanghai High-tech Achievement Transformation Project and the Ministry of Science and Technology's Innovation Fund for Small and Medium-sized Enterprises. In 2010, it was designated as a patent pilot enterprise in Shanghai. In 2018, the company was selected for the Shanghai 'Little Giant' Project (cultivation) and recognized as a specialized and innovative enterprise. In 2021, it achieved the status of a national-level specialized and innovative 'Little Giant' enterprise. As of 2022, the company has obtained a US PCT patent, 4 inventions granted by the China National Intellectual Property Administration, 13 design patents, 13 utility model patents, and 28 software copyrights.

Our software control research and development team is led by professors and academic leaders from Shanghai Jiao Tong University. The core research and development personnel have advanced degrees from renowned universities and possess over a decade of experience in motion control algorithm development. The robot design team consists of experienced R&D experts from well-known

foreign robotics companies, with over ten years of experience in robot design in the robotics industry.

The collaboration between elite academics from prestigious institutions and skilled professionals from foreign enterprises forms a powerful alliance. The integration of research achievements from renowned universities and the incorporation of mature products from reputable companies serve as the technical foundation, guaranteeing the stability and reliability of Turin Robot' products. We have 45 years of experience in industrial robot development, always committed to the research and innovation of robot technology. In 2019, we developed the world's first non-deceleration model, and our range of products includes the industry's fastest SCARA robot at 0.28 seconds per cycle, four-axis scara, lightweight mini six-axis, heavy-duty, delta, soft robots, AMR, and fully-loaded series with payloads from 1KG to 500KG.

Since 2016, the company has sold over 30,000 units of industrial robots developed, which have been operating reliably in 2,200 production sites. We appreciate the trust and support of our customers. In the future, We will continue to provide the highest quality industrial robot products and technical services to global customers.



## Leading Intelligent Automation Solution Provider

### 45 Years

Professional team engaged in robot R&D and application.  
The world's most comprehensive product variety in the industry.

### 30,000 Units

China's Top3 Industrial Robot Producers by Sales

1. History: Turin leverages 45 years of robot technology evolution from R.R. Robo-tica, the second robotics company in Europe.
2. Strength: Turin offers exceptional efficiency, the fastest cycle times, and com-petitive costs.
3. Sales: Turin has sold more than 30,000 units and is widely used in 2,200 produc-tion sites for large-scale industrial applications, making it the best choice for mass industrial use.
4. Certifications: Turin is a nationally recognized enterprise, ranked among China's top 50 intelligent manufacturing companies, with CR and CE certifications and a registered capital of 443.5 million yuan.

#### **Quick Selection Table** Page01

##### 1.Scara Robot Page05

STG030-500	05	STG100	06
STH030-400/500/600	07	STH100-800/900/1000	08
STH200	09	STH500	10
STW030-500/600	11	STW060-500/600/700	12

##### 2.Collaborative Robot Page13

TCR030	13	TCR050	14	TCR100	15	TCR200	16
TCR300	17						

##### 3.Industrial Robot Page18

###### ■ Welding Robot Series Page24

TKB1400	24	TKB1440	25	TKB2030	27
---------	----	---------	----	---------	----

###### ■ Robot with Six Axes Page18

TKB1010	18	TRB050	19	TKB060	20	TKB070	21
TKB1210	22	TKB1100	23	TKB1600	26	TKB2670	28
TKB2690	29	TKB3670	30	TKB3690	31	TKB5600	32
TKB5700	33	TKB5800	34	RRB6700	35	RRB6700	36

###### ■ Robot with Four Axes Page37

TKB460	37	TKB4600	38	TKB660	39
--------	----	---------	----	--------	----

##### 4.Robot System Equipment Page40

图灵 TRP04 Teach Pendant	40	图灵 TRC4-A03 Control Cabinet	41
图灵 TRC5-B06 Control Cabinet	42	图灵 TRC5-G06 Control Cabinet	43
图灵 TRC3-C06 Control Cabinet	44	图灵 TRC3-D06 Control Cabinet	45





##### 5.Industrial Robot Application Scenarios Page46

##### 6.Partners Page52








## Quick Selection Table

Product				
Model	STG030	STG100	STH030	STH100
Payload	3Kg	10Kg	3Kg	10Kg
Arm Reach	500mm	700mm	400/500/600mm	800/900/1000mm
IP Rating	IP40	IP40	IP40	IP40
Allowable Inertia of R-axis	0.05Kg*m <sup>2</sup>	0.3Kg*m <sup>2</sup>	0.05Kg*m <sup>2</sup>	0.3Kg*m <sup>2</sup>
Position Repeatability	J1/J2	±0.01mm	±0.02mm	±0.01mm
	J3	±0.01mm	±0.01mm	±0.01mm
	J4	±0.01°	±0.01°	±0.01°

Product				
Model	STH200	STH500	STW030	STW060
Payload	20Kg	50Kg	3Kg	6Kg
Arm Reach	1200mm	1200mm	500/600mm	500/600/700mm
IP Rating	IP40	IP40	IP40	IP40
Allowable Inertia of R-axis	2.45Kg*m <sup>2</sup>	4.35Kg*m <sup>2</sup>	0.05Kg*m <sup>2</sup>	0.05Kg*m <sup>2</sup>
Position Repeatability	J1/J2	±0.05mm	±0.05mm	±0.01mm
	J3	±0.02mm	±0.02mm	±0.01mm
	J4	±0.005°	±0.005°	±0.01°






## Quick Selection Table

Product					
Model	TCR030	TCR050	TCR100	TCR200	TCR300
Payload	3Kg	5Kg	10Kg	20Kg	30Kg
Arm Reach	585mm	900mm	1310mm	1650mm	1800mm
	IP54/IP67	IP54/IP67	IP54/IP67	IP54	IP54
Position Repeatability	±0.03mm	±0.03mm	±0.05mm	±0.1mm	±0.1mm



## Quick Selection Table

Product					
Model	TKBI010	TRB050	TKB060	TKB070	TKBI210
Payload	1Kg	3Kg	6Kg	7Kg	7Kg
Arm Reach	370mm	616mm	720mm	910mm	960mm
IP Rating	IP54	IP54	IP54/IP67 (5&6 Axes Optional)	IP54/IP67	IP54/IP67 (5&6 Axes Optional)
Position Repeatability	±0.01mm	±0.02mm	±0.02mm	±0.02mm	±0.04mm

Product					
Model	TKBI100	TKBI400	TKBI440	TKBI600	TKB2030
Payload	10Kg	6Kg	10Kg	12Kg	6Kg
Arm Reach	1110mm	1412mm	1455mm	1410mm	2078mm
IP Rating	IP54	IP54/IP67 (5&6 Axes Optional)	IP54	IP54/IP67 (5&6 Axes Optional)	IP54
Position Repeatability	±0.03mm	±0.05mm	±0.05mm	±0.06mm	±0.07mm

## Quick Selection Table

Product					
Model	TKB2670/2690	TKB3670	TKB3690	TKB5600/5700	TKB5800
Payload	20Kg	30Kg	30Kg	60/70Kg	50Kg
Arm Reach	1721/1920mm	1721mm	1920mm	2119mm	2448mm
IP Rating	IP54/IP67 (5&6 Axes Optional)	IP54/IP67 (5&6 Axes Optional)	IP54/IP67 (5&6 Axes Optional)	IP54	IP54
Position Repeatability	±0.05mm	±0.05mm	±0.05mm	±0.08mm	±0.08mm

Product					
Model	RRB6700	RRB6700	TKB460	TKB4600	TKB660
Payload	210Kg	155Kg	30Kg	12Kg	180Kg
Arm Reach	2700mm	3200mm	1840mm	1435mm	3200mm
IP Rating	IP54/IP65 (5&6 Axes Optional)	IP54/IP65 (5&6 Axes Optional)	IP54	IP54	IP54/IP65 (4 Axes Optional)
Position Repeatability	±0.1mm	±0.1mm	±0.08mm	±0.08mm	±0.1mm







# STH030

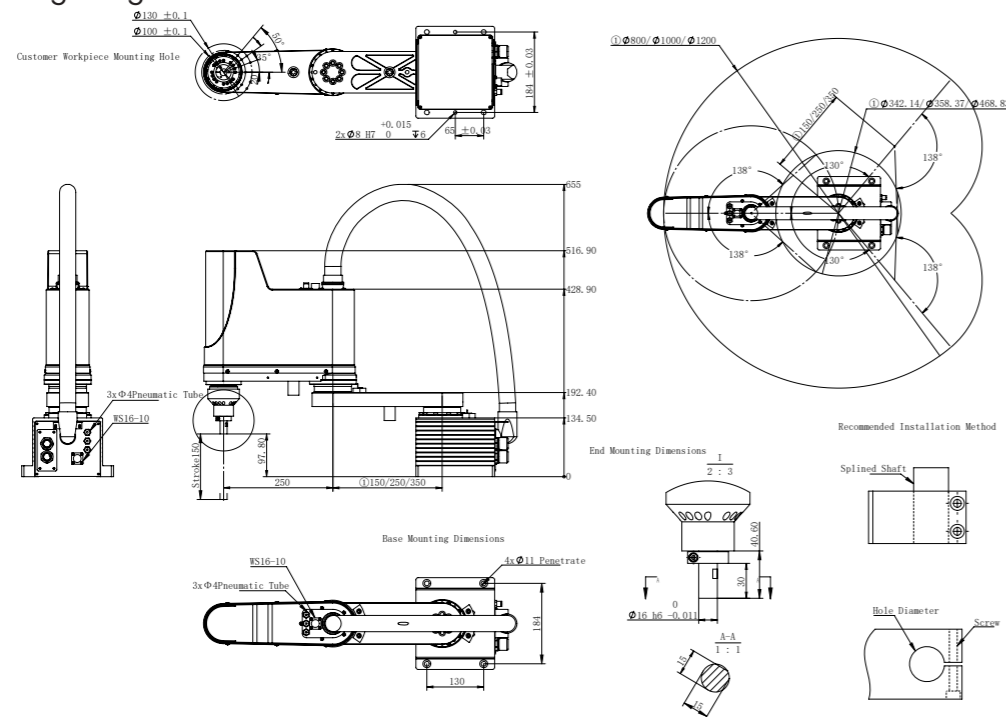
Payload: 3kg  
Arm Reach: 400/500/600mm



Axis Specifications	Arm Reach (mm)	J1 Axis			J2 Axis	J3 Axis	R Axis
		STH030-400	STH030-500	STH030-600	250	150	-
Rotation Range (degree)		130	138		138	-	360
		-130	-138		-138		-360
Retarding Mechanism	Reducer Box	Harmonic Drive			Harmonic Drive	-	Harmonic Drive
Conduction Mode	Motor and Reducer	Diret Connection			-	-	Synchronous Pulley
	Reducer and Output	Diret Connection					
Repeated Positioning Accuracy (XYZ:mm)(r:degree) ※		±0.01			±0.01	±0.01	
Maximum Speed (XYZ:mm/sec)(r:°/sec)		6280/7065/7850			1000	720	
Payload(kg)		3kg					
Standard cycle time*1		0.4					
Allowable inertia moment of Raxisaxis(kgm <sup>2</sup> )		0.05					
Input(IN) Output(OUT)		0.2*10					
Users Pipe(outside admission)		Φ4*3					
Robot Cablelength(m)		Standard: 3 Optional: 5					
Weight(kg)		16.8/17.9/19kg					
Control Cabinet		TRC4-A03					
Working Temperature		0-45°C					

※ This precision applies to the Turin Intelligence series.

## Working Range



# STH100

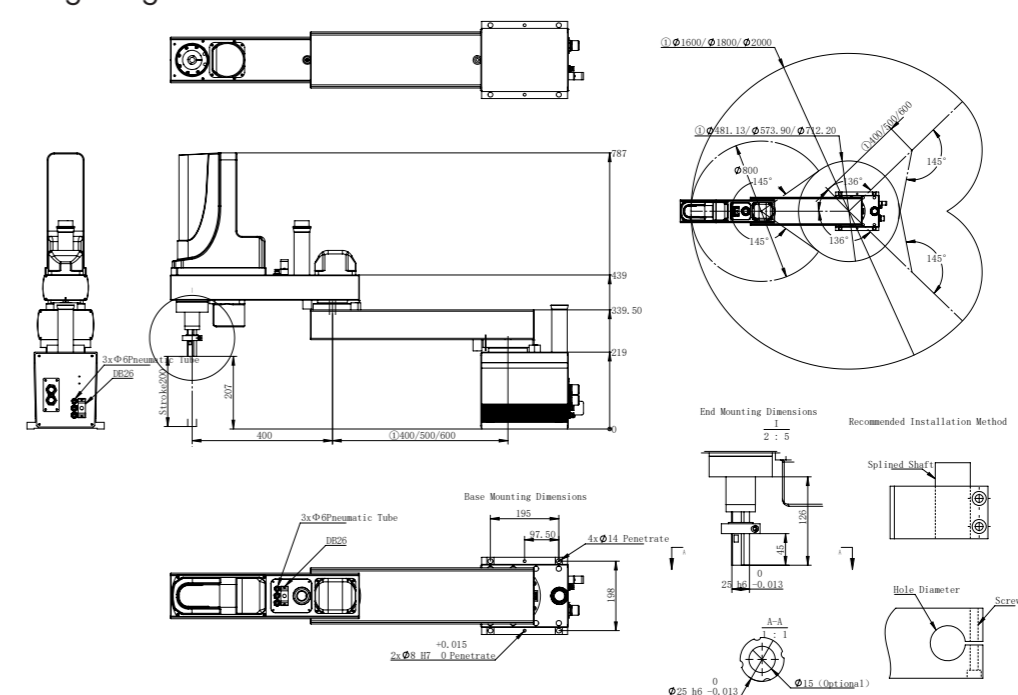
Payload: 10kg  
Arm Reach: 800/900/1000mm



Axis Specifications	Arm Reach (mm)	J1 Axis			J2 Axis	J3 Axis	R Axis
		STH100-800	STH100-900	STH100-1000	400	200	-
Rotation Range (degree)		136	145		145	-	360
		-136	-145		-145		-360
Retarding Mechanism	Reducer Box	Harmonic Drive			Harmonic Drive	-	Harmonic Drive
Conduction Mode	Motor and Reducer	Diret Connection			-	-	Synchronous Pulley
	Reducer and Output	Diret Connection					
Repeated Positioning Accuracy (XYZ:mm)(r:degree) ※		±0.02			±0.01	±0.01	
Maximum Speed (XYZ:mm/sec)(r:°/sec)		11304/12089/12874			1000	720	
Payload(kg)		10kg					
Standard cycle time*1		0.6					
Allowable inertia moment of Raxisaxis(kgm <sup>2</sup> )		0.3					
Input(IN) Output(OUT)		0.2*20					
Users Pipe(outside admission)		Φ6*3					
Robot Cablelength(m)		Standard: 3 Optional: 5					
Weight(kg)		46kg	48kg	50kg			
Control Cabinet		TRC4-A03					
Working Temperature		0-45°C					

※ This precision applies to the Turin Intelligence series.

## Working Range



# STH200

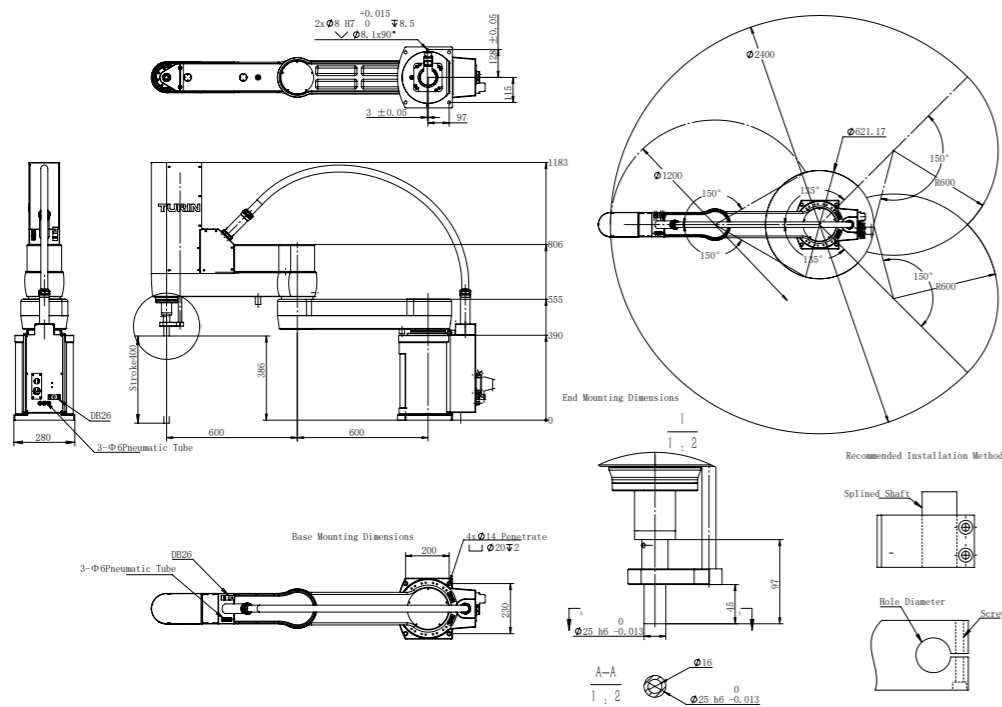
Payload: 20kg  
Arm Reach: 1200mm



		J1 Axis	J2 Axis	J3 Axis	R Axis
Axis Specifications	Arm Reach (mm)	600	600	400	-
	Rotation Range(degree)	135 -135	150 -150	-	180 -180
Retarding Mechanism	Reducer Box	RV	RV	Ball Screw	Harmonic Drive
Conduction Mode	Motor and Reducer Reducer and Output	Diret Connection		Synchronous Pulley	
Repeated Positioning Accuracy (XYZ:mm)(r:degree) ※		±0.05		±0.02	±0.005
Maximum Speed (XYZ:mm/sec)(r:°/sec)		12417		1000	720
Rated handling capacity (kg)		20kg			
Payload(kg)		50kg			
Standard cycle time*1		0.91			
Allowable inertia moment of Raxisaxis(kgm <sup>2</sup> )		2.45			
Input(IN) Output(OUT)		0.2*20			
Users Pipe(outside admission)		φ6*3			
Robot Cablelength(m)		Standard: 3 Optional: 5			
Weight(kg)		155kg			
Control Cabinet		TRC4-A03			

※This precision applies to the Turin Intelligence series.

## Working Range



# STH500

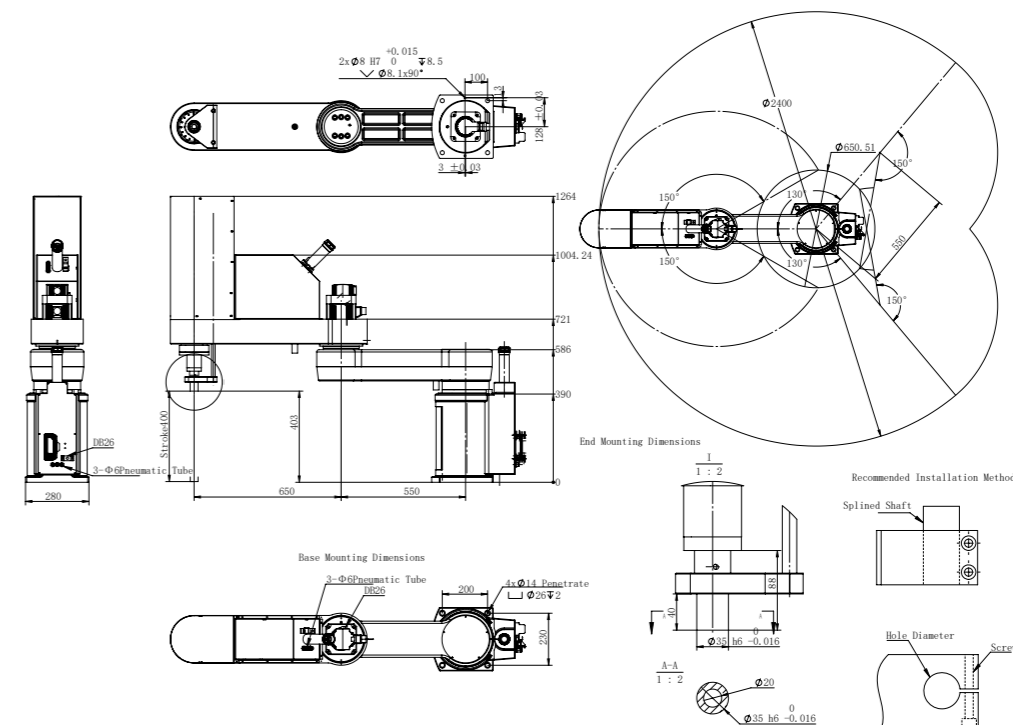
Payload: 50kg  
Arm Reach: 1200mm



		J1 Axis	J2 Axis	J3 Axis	R Axis
Axis Specifications	Arm Reach (mm)	550	650	400	-
	Rotation Range(degree)	130 -130	150 -150	-	180 -180
Retarding Mechanism	Reducer Box	RV	RV	Ball Screw	Harmonic Drive
Conduction Mode	Motor and Reducer Reducer and Output	Diret Connection		Synchronous Pulley	
Repeated Positioning Accuracy (XYZ:mm)(r:degree) ※		±0.05		±0.02	±0.005
Maximum Speed (XYZ:mm/sec)(r:°/sec)		10162		1000	720
Payload (kg)		50kg			
Standard cycle time*1		0.98			
Allowable inertia moment of Raxisaxis(kgm <sup>2</sup> )		4.35			
Input(IN) Output(OUT)		0.2*20			
Users Pipe(outside admission)		φ6*3			
Robot Cablelength(m)		Standard: 3 Optional: 5			
Weight(kg)		170kg			
Control Cabinet		TRC3-A06			

※This precision applies to the Turin Intelligence series.

## Working Range





# STW030

Payload: 3kg  
Arm Reach: 500/600mm



# STW060

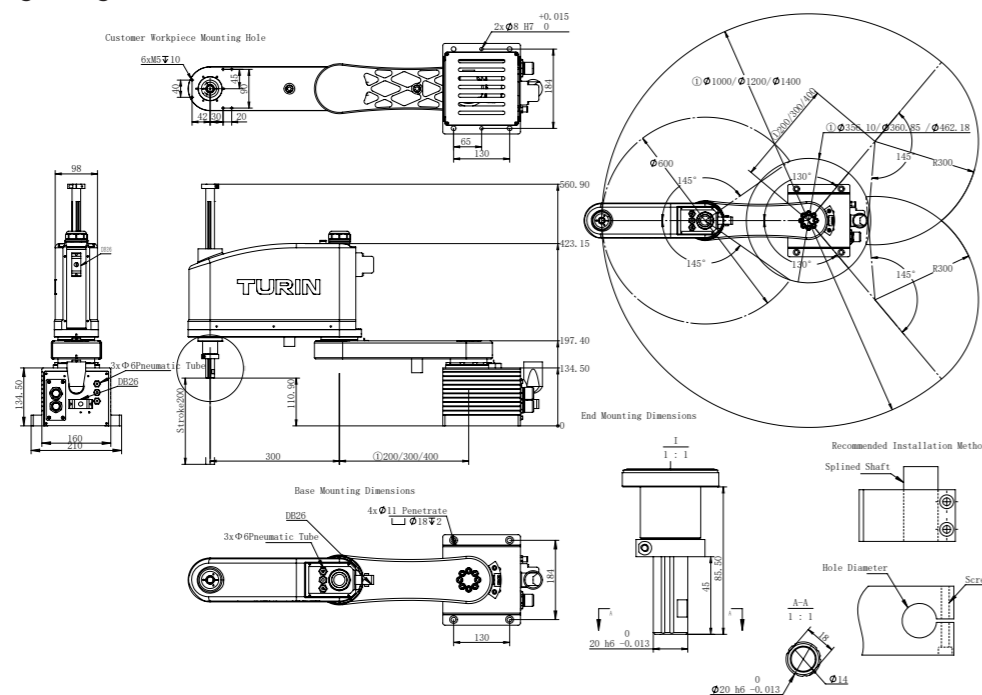
Payload: 6kg  
Arm Reach: 500/600/700mm



Axis Specifications	Arm Reach (mm)	J1 Axis		J2 Axis	J3 Axis	R Axis
		STW030-500	STW030-600	300	200	-
Rotation Range(degree)		130	145	-	360	
		-130	-145	-	-360	
Reducer Box		Harmonic Drive		Harmonic Drive	-	Harmonic Drive
Retarding Mechanism	Conduction Mode	Motor and Reducer		Diret Connection		Synchronous Pulley
		Reducer and Output		Diret Connection		
Repeated Positioning Accuracy (XYZ:mm)(r:degree)※		±0.01		±0.01	±0.01	
Maximum Speed (XYZ:mm/sec)(r:°/sec)		7693/8478		1000	3500	
Payload(kg)		3kg				
Standard cycle time*1		0.4				
Allowable inertia moment of Raxisaxis(kgm <sup>2</sup> )		0.05				
Input(IN) Output(OUT)		0.2*10				
Users Pipe(outside admission)		Φ6*3				
Robot Cablelength(m)		Standard: 3 Optional: 5				
Weight(kg)		20/25kg				
Control Cabinet		TRC4-A03				
Working Temperature		0-45°C				

※This precision applies to the Turin Intelligence series.

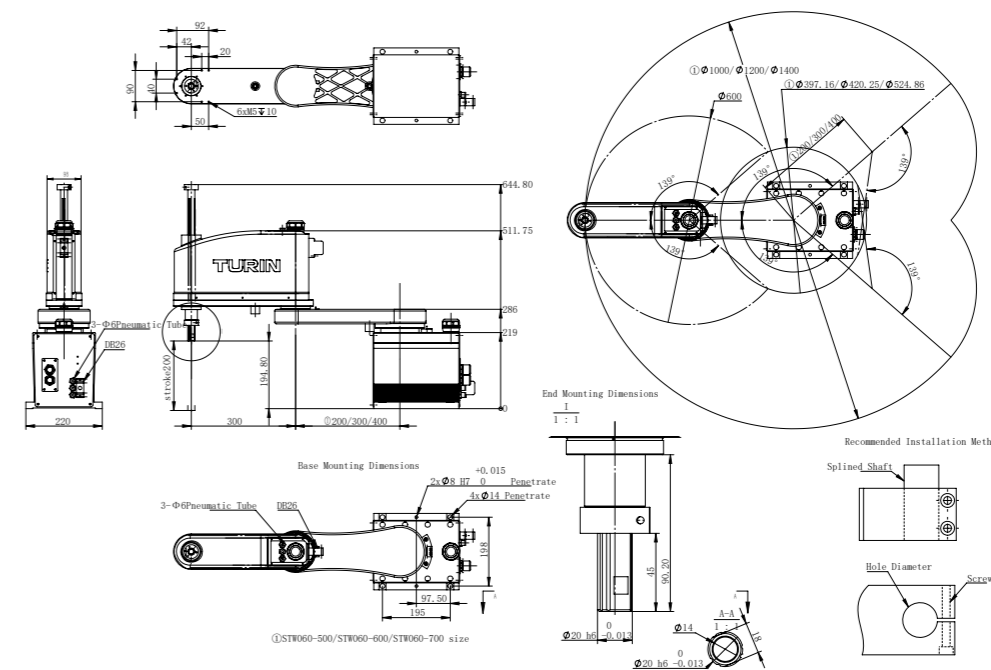
## Working Range



Axis Specifications	Arm Reach (mm)	J1 Axis			J2 Axis	J3 Axis	R Axis
		STW060-500	STW060-600	STW060-700	300	200	-
Rotation Range(degree)		139	139	-	360		
		-139	-139	-	-360		
Reducer Box		Harmonic Drive			Harmonic Drive	-	Harmonic Drive
Retarding Mechanism	Conduction Mode	Motor and Reducer			Diret Connection		Synchronous Pulley
		Reducer and Output			Diret Connection		
Repeated Positioning Accuracy (XYZ:mm)(r:degree)※		±0.02			±0.01	±0.01	
Maximum Speed (XYZ:mm/sec)(r:°/sec)		7693/8478/9263			1000	3500	
Payload(kg)		6kg					
Standard cycle time*1		0.4					
Allowable inertia moment of Raxisaxis(kgm <sup>2</sup> )		0.05					
Input(IN) Output(OUT)		0.2*10					
Users Pipe(outside admission)		Φ6*3					
Robot Cablelength(m)		Standard: 3 Optional: 5					
Weight(kg)		37.5/40/42kg					
Control Cabinet		TRC4-A03					
Working Temperature		0-45°C					

※This precision applies to the Turin Intelligence series.

## Working Range



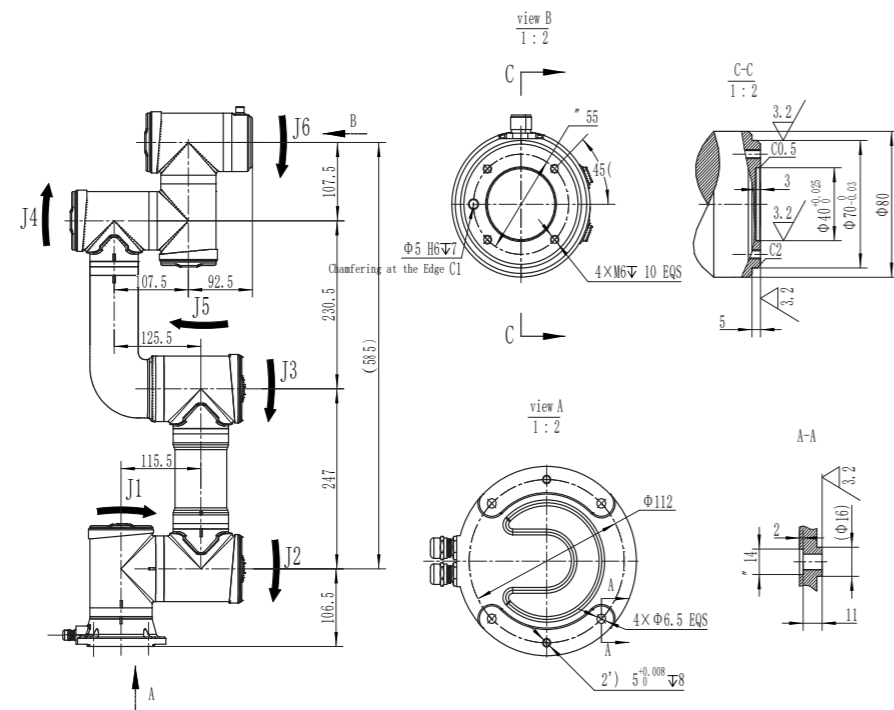
# TCR030

Payload: 3kg  
Arm Reach: 585mm

Model	TCR030	
Payload	3kg	
Maximum Working Range	585mm	
Body Weight	16kg	
Rated Power	0.9kw	
Max Speed	J1	180°/s
	J2	180°/s
	J3	180°/s
	J4	180°/s
	J5	180°/s
	J6	180°/s
Max Operation Area	J1	±175°
	J2	±175°
	J3	-240°~+60°
	J4	±175°
	J5	±175°
	J6	±360°
IP Rating	IP54/IP67	
Position Repeatability ※	±0.03mm	
Working Temperature	0~45°C	

※This precision applies to the Turin Intelligence series.

## Working Range



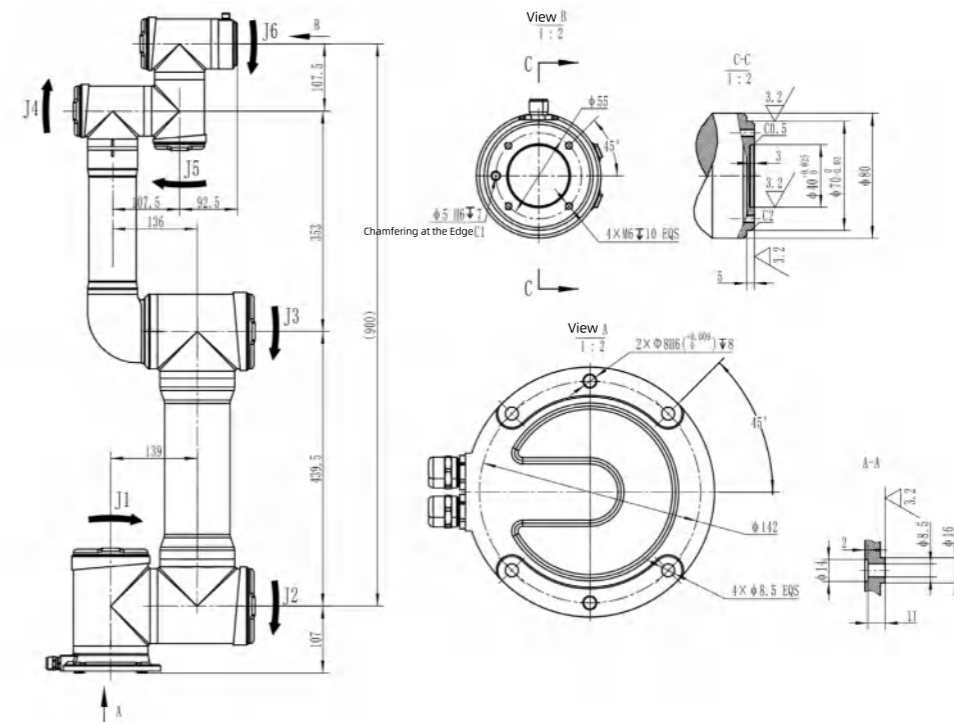
# TCR050

Payload: 5kg  
Arm Reach: 900mm

Model	TCR050	
Payload	5kg	
Maximum Working Range	900mm	
Body Weight	26kg	
Rated Power	2.55kw	
Max Speed	J1	180°/s
	J2	180°/s
	J3	180°/s
	J4	180°/s
	J5	180°/s
	J6	180°/s
Max Operation Area	J1	±175°
	J2	±175°
	J3	-245°~+65°
	J4	±175°
	J5	±175°
	J6	±360°
IP Rating	IP54/IP67	
Position Repeatability ※	±0.03mm	
Working Temperature	0~45°C	

※This precision applies to the Turin Intelligence series.

## Working Range





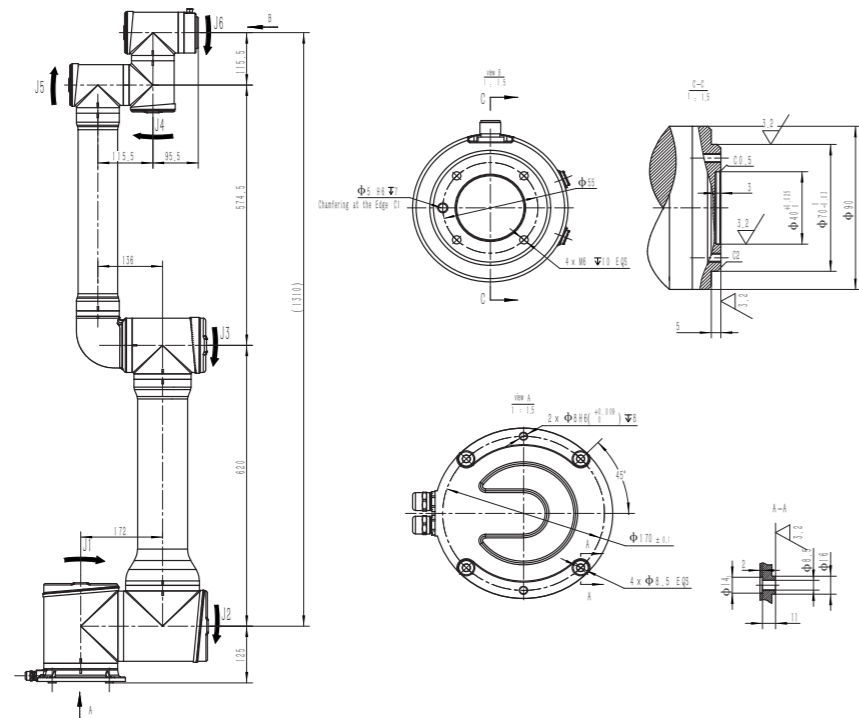
# TCR100

Payload: 10kg  
Arm Reach: 1310mm

Model	TCR100	
Payload	10kg	
Maximum Working Range	1310mm	
Body Weight	43kg	
Rated Power	3.5kw	
Max Speed	J1	120°/s
	J2	120°/s
	J3	120°/s
	J4	180°/s
	J5	180°/s
	J6	180°/s
Max Operation Area	J1	±175°
	J2	±175°
	J3	-245°~+65°
	J4	±175°
	J5	±175°
	J6	±360°
IP Rating	IP54/IP67	
Position Repeatability ※	±0.05mm	
Working Temperature	0~45°C	

※This precision applies to the Turin Intelligence series.

### Working Range



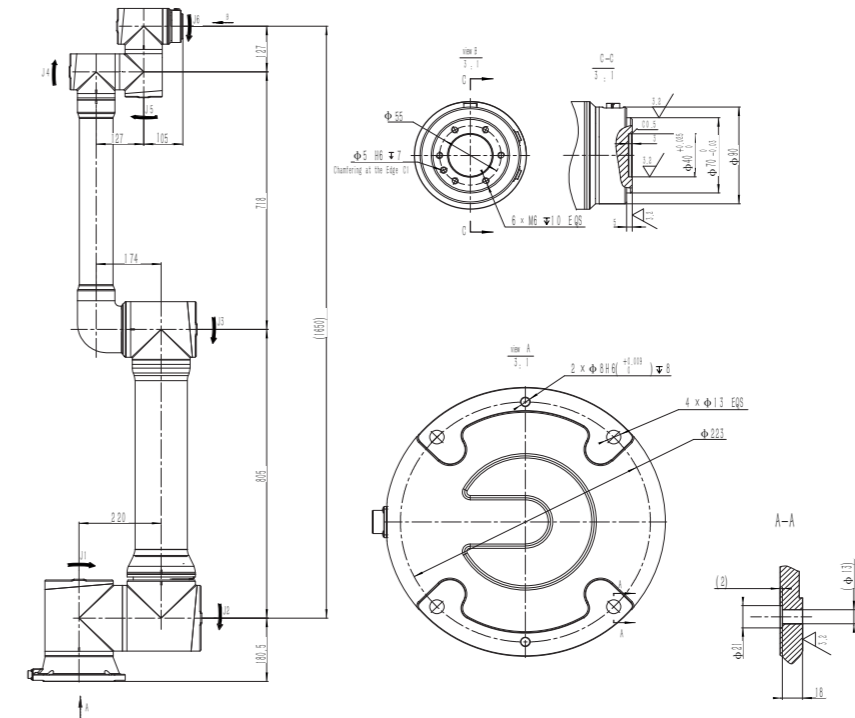
# TCR200

Payload: 20kg  
Arm Reach: 1650mm

Model	TCR200	
Payload	20kg	
Maximum Working Range	1650mm	
Body Weight	68kg	
Rated Power	3.9kw	
Max Speed	J1	100°/s
	J2	100°/s
	J3	150°/s
	J4	180°/s
	J5	180°/s
	J6	180°/s
Max Operation Area	J1	±175°
	J2	±175°
	J3	-245°~+65°
	J4	±175°
	J5	±175°
	J6	±360°
IP Rating	IP54	
Position Repeatability ※	±0.1mm	
Working Temperature	0~45°C	

※This precision applies to the Turin Intelligence series.

### Working Range







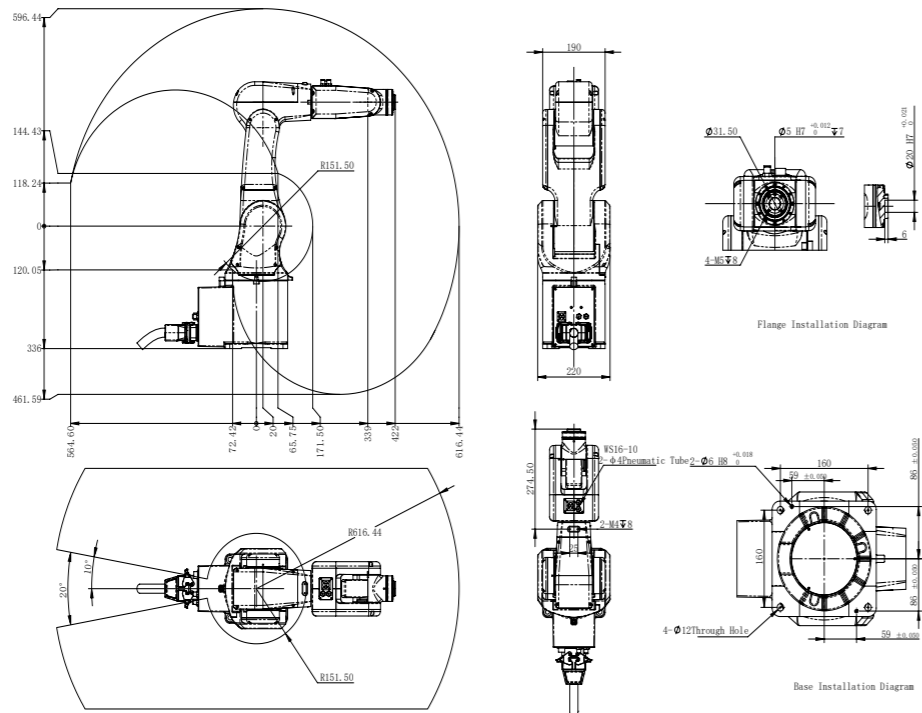
# TRB050

Payload: 3kg  
Arm Reach: 616mm

Model	TRB050	
Payload	3kg	
Maximum Working Range	616mm	
DOF	6 axes	
Body Weight	35kg	
Rated Power	1.05kw	
Max Speed	J1	450°/s
	J2	450°/s
	J3	720°/s
	J4	720°/s
	J5	720°/s
	J6	720°/s
Max Operation Area	J1	±170°
	J2	-80°~120°
	J3	-75°~75°
	J4	±120°
	J5	±120°
	J6	±360°
IP Rating	IP54	
Position Repeatability ※	±0.02mm	
Controller	TRC4-A03	
Working Temperature	0~45°C	

※This precision applies to the Turin Intelligence series.

## Working Range



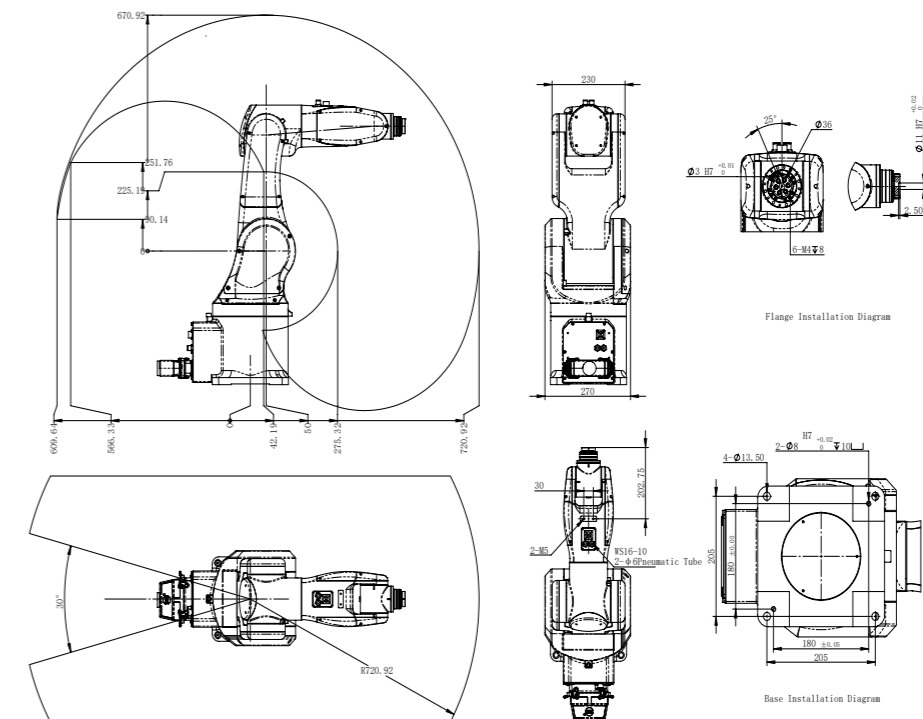
# TKB060

Payload: 6kg  
Arm Reach: 720mm

Model	TKB060	
Payload	6kg	
Maximum Working Range	720mm	
DOF	6 axes	
Body Weight	40kg	
Rated Power	2.2kw	
Max Speed	J1	450°/s
	J2	450°/s
	J3	450°/s
	J4	458°/s
	J5	540°/s
	J6	360°/s
Max Operation Area	J1	±165°
	J2	-75°~110°
	J3	-100°~55°
	J4	±160°
	J5	±110°
	J6	±360°
IP Rating	IP54/IP67(5&6 axes optional)	
Position Repeatability ※	±0.02mm	
Controller	TRC4-A03	
Working Temperature	0~45°C	

※This precision applies to the Turin Intelligence series.

## Working Range



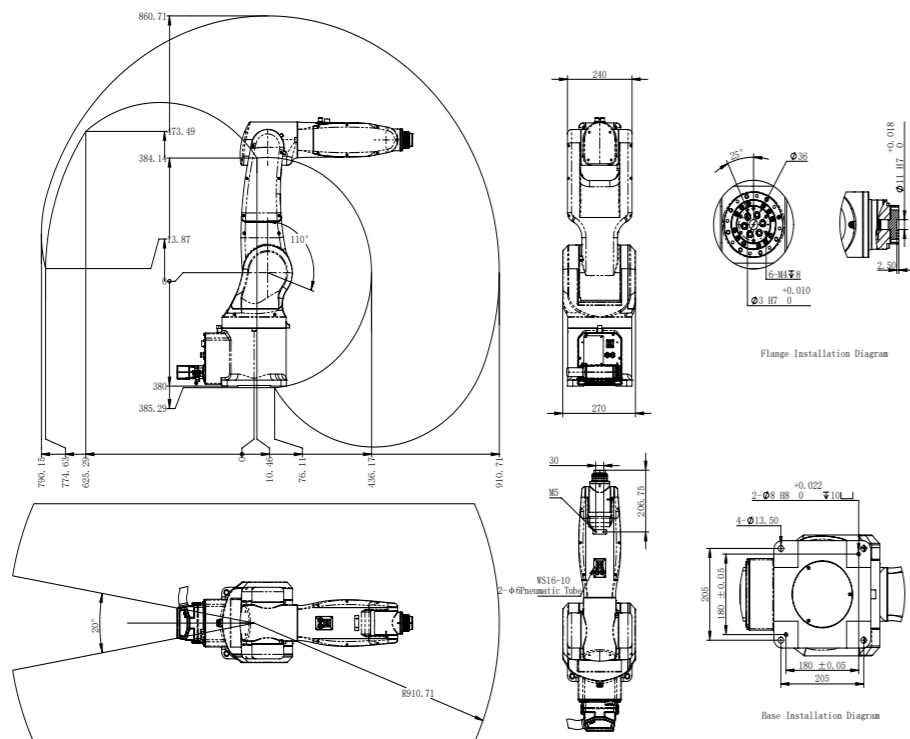
# TKB070

Payload: 7kg  
Arm Reach: 910mm

Model	TKB070	
Payload	7kg	
Maximum Working Range	910mm	
DOF	6 axes	
Body Weight	50kg	
Rated Power	2.4kw	
Max Speed	J1	450°/s
	J2	450°/s
	J3	450°/s
	J4	458°/s
	J5	720°/s
	J6	720°/s
Max Operation Area	J1	±170°
	J2	-75°~110°
	J3	-120°~50°
	J4	±160°
	J5	±120°
	J6	±360°
IP Rating	IP54/IP67	
Position Repeatability ※	±0.02mm	
Controller	TRC4-A03	
Working Temperature	0~45°C	

※This precision applies to the Turin Intelligence series.

## Working Range



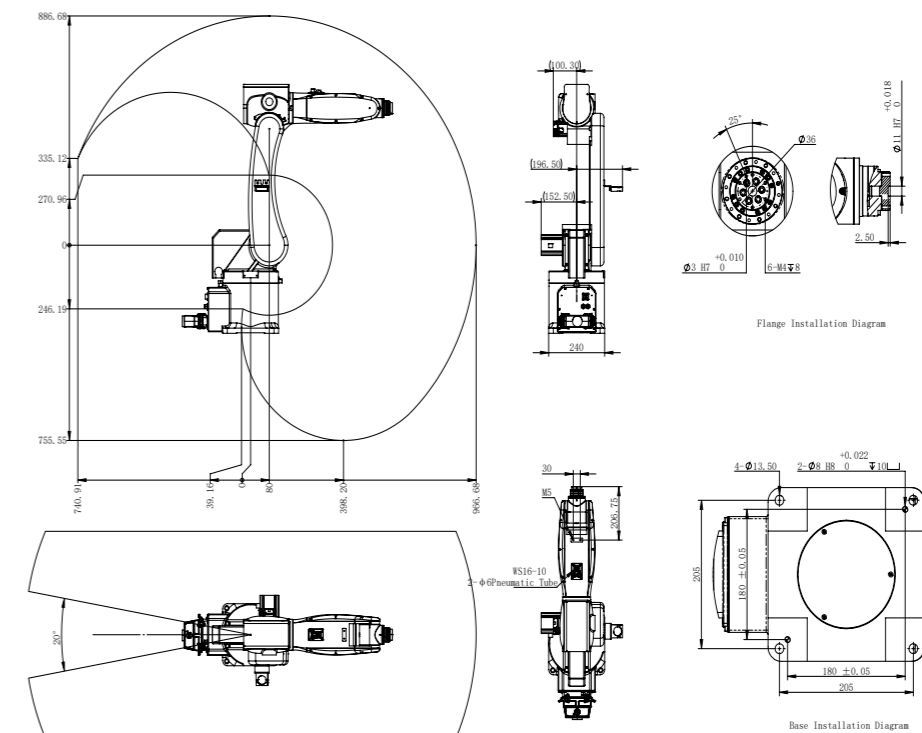
# TKB1210

Payload: 7kg  
Arm Reach: 960mm

Model	TKB1210	
Payload	7kg	
Maximum Working Range	960mm	
DOF	6 axes	
Body Weight	49kg	
Rated Power	2.4kw	
Max Speed	J1	450°/s
	J2	450°/s
	J3	450°/s
	J4	458°/s
	J5	720°/s
	J6	720°/s
Max Operation Area	J1	±170°
	J2	-70°~135°
	J3	-75°~75°
	J4	±160°
	J5	±120°
	J6	±360°
IP Rating	IP54/IP67(5&6 axes optional)	
Position Repeatability ※	±0.04mm	
Controller	TRC4-A03	
Working Temperature	0~45°C	

※This precision applies to the Turin Intelligence series.

## Working Range



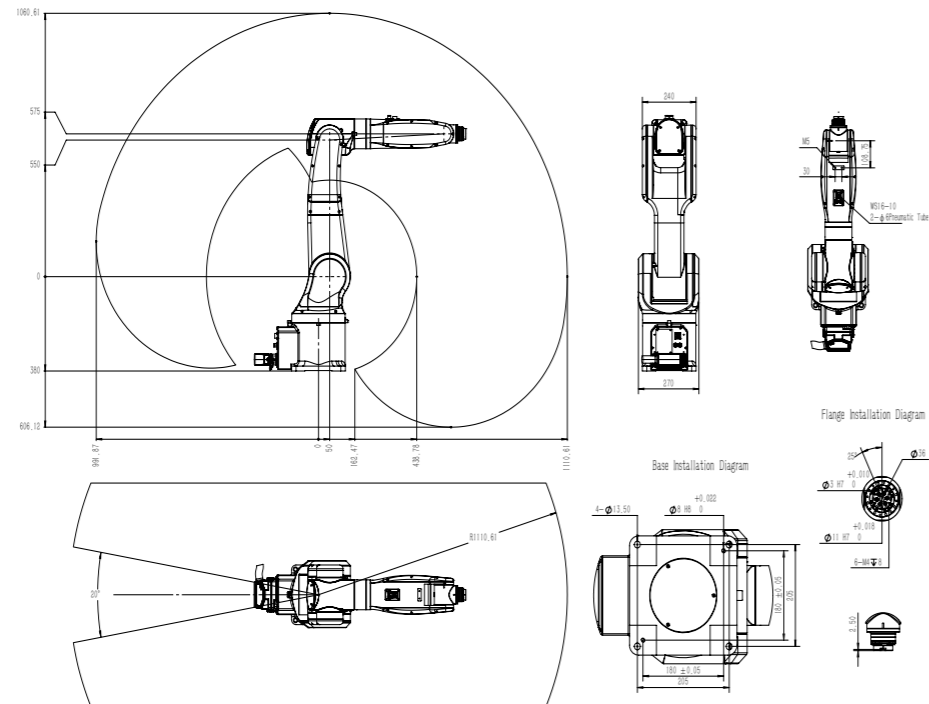
# TKB1100

Payload: 10kg  
Arm Reach: 1110mm

Model	TKB1100	
Payload	10kg	
Maximum Working Range	1110mm	
DOF	6 axes	
Body Weight	55kg	
Rated Power	2.5kw	
Max Speed	J1	360°/s
	J2	300°/s
	J3	300°/s
	J4	520°/s
	J5	360°/s
	J6	450°/s
Max Operation Area	J1	±170°
	J2	-75°~110°
	J3	-120°~50°
	J4	±160°
	J5	±120°
	J6	±360°
IP Rating	IP54	
Position Repeatability ※	±0.03mm	
Controller	TRC4-A03	
Working Temperature	0~45°C	

※This precision applies to the Turin Intelligence series.

## Working Range



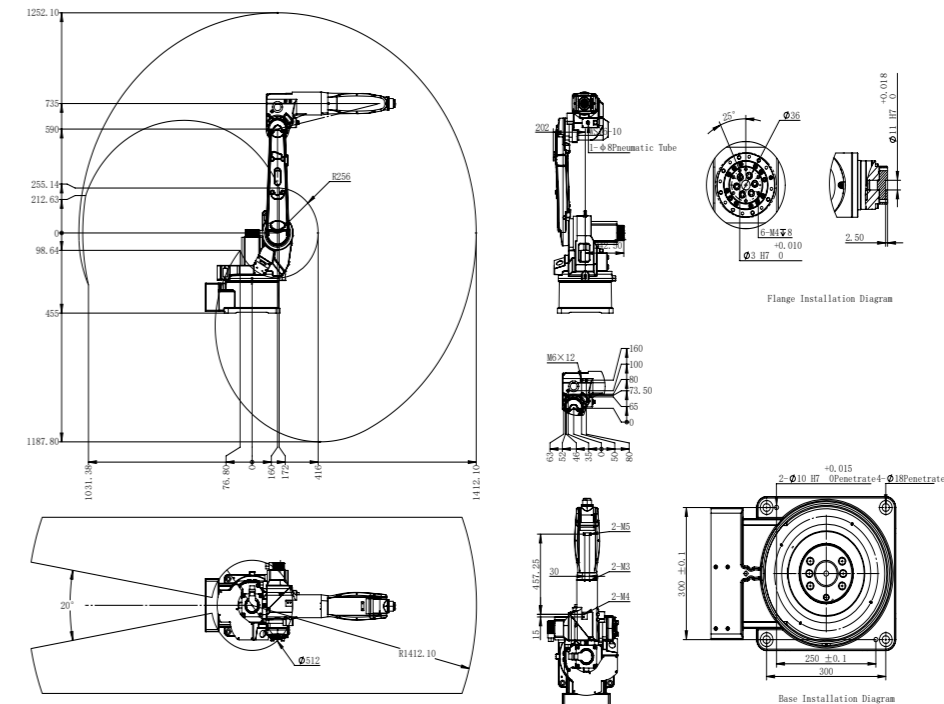
# TKB1400

Payload: 6kg  
Arm Reach: 1412mm

Model	TKB1400	
Payload	6kg	
Maximum Working Range	1412mm	
DOF	6 axes	
Body Weight	160kg	
Rated Power	3.5kw	
Max Speed	J1	198°/s
	J2	198°/s
	J3	169°/s
	J4	360°/s
	J5	360°/s
	J6	600°/s
Max Operation Area	J1	±170°
	J2	-92°~153°
	J3	-100°~80°
	J4	±140°
	J5	±120°
	J6	±360°
IP Rating	IP54/IP67(5&6 axes optional)	
Position Repeatability ※	±0.05mm	
Controller	TRC5-B06	
Working Temperature	0~45°C	

※This precision applies to the Turin Intelligence series.

## Working Range





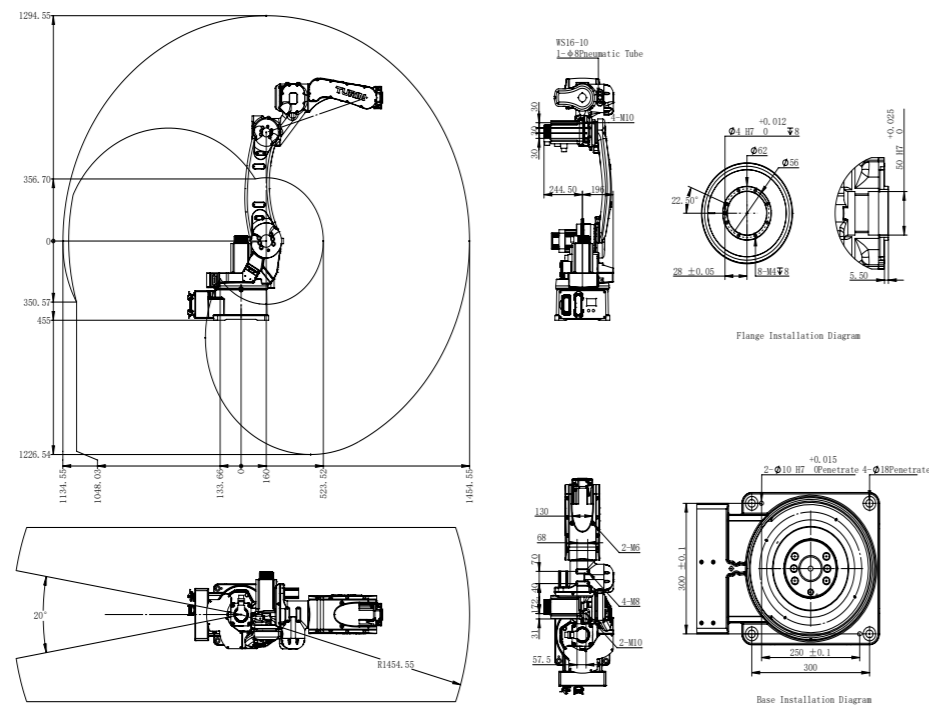
# TKB1440

Payload: 10kg  
Arm Reach: 1455mm

Model	TKB1440	
Payload	10kg	
Maximum Working Range	1455mm	
DOF	6 axes	
Body Weight	155kg	
Rated Power	4.3kw	
Max Speed	J1	198°/s
	J2	198°/s
	J3	210°/s
	J4	330°/s
	J5	450°/s
	J6	700°/s
Max Operation Area	J1	±170°
	J2	-92°~153°
	J3	-100°~75°
	J4	±190°
	J5	±130°
	J6	±360°
IP Rating	IP54	
Position Repeatability ※	±0.05mm	
Controller	TRC5-B06	
Working Temperature	0~45°C	

※This precision applies to the Turin Intelligence series.

## Working Range



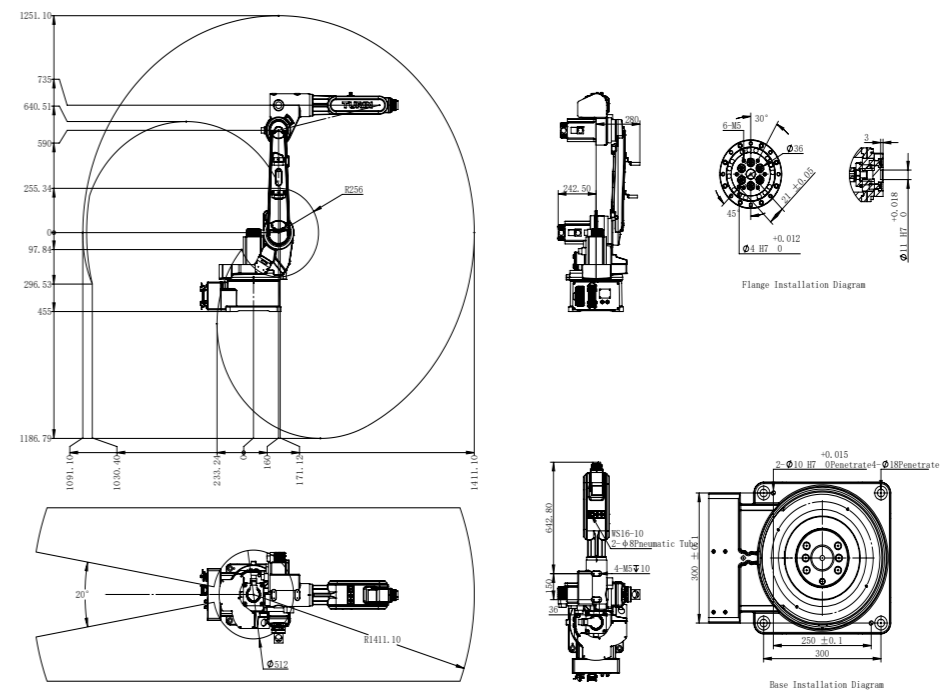
# TKB1600

Payload: 12kg  
Arm Reach: 1410mm

Model	TKB1600	
Payload	12kg	
Maximum Working Range	1410mm	
DOF	6 axes	
Body Weight	160kg	
Rated Power	4.3kw	
Max Speed	J1	148°/s
	J2	148°/s
	J3	230°/s
	J4	480°/s
	J5	256°/s
	J6	450°/s
Max Operation Area	J1	±170°
	J2	-92°~153°
	J3	-100°~80°
	J4	±140°
	J5	±120°
	J6	±360°
IP Rating	IP54/IP67(5&6 axes optional)	
Position Repeatability ※	±0.06mm	
Controller	TRC5-B06	
Working Temperature	0~45°C	

※This precision applies to the Turin Intelligence series.

## Working Range



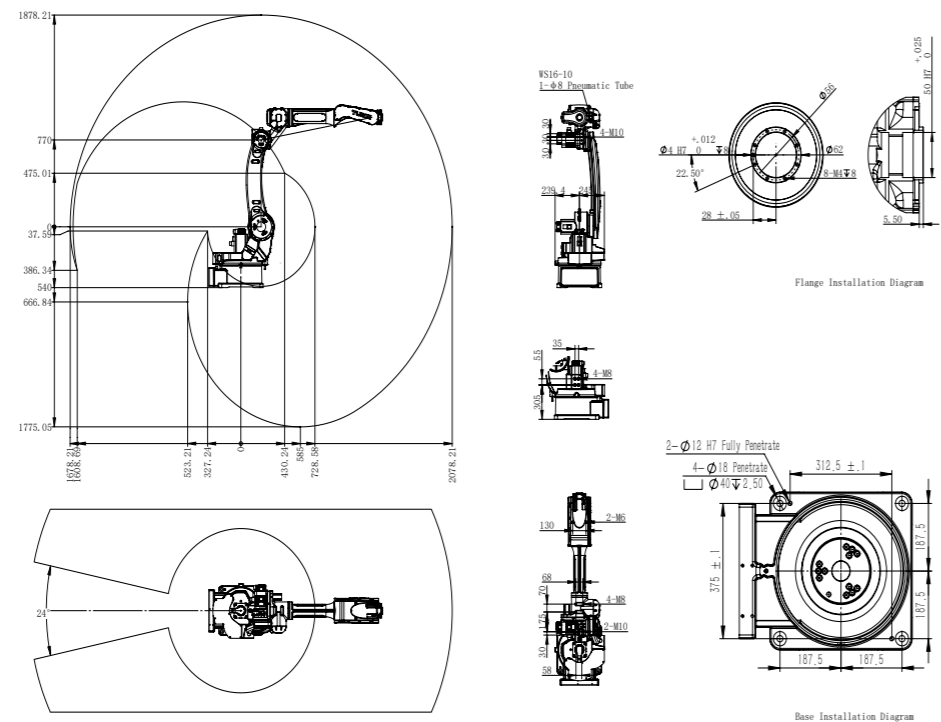
# TKB2030

Payload: 6kg  
Arm Reach: 2078mm

Model	TKB2030	
Payload	6kg	
Maximum Working Range	2078mm	
DOF	6 axes	
Body Weight	210kg	
Rated Power	4.3kw	
Max Speed	J1	168°/s
	J2	148°/s
	J3	160°/s
	J4	330°/s
	J5	450°/s
	J6	700°/s
Max Operation Area	J1	±160°
	J2	-90°~150°
	J3	-100°~75°
	J4	±190°
	J5	±130°
	J6	±360°
IP Rating	IP54	
Position Repeatability ※	±0.07mm	
Controller	TRC5-B06	
Working Temperature	0~45°C	

※This precision applies to the Turin Intelligence series.

## Working Range



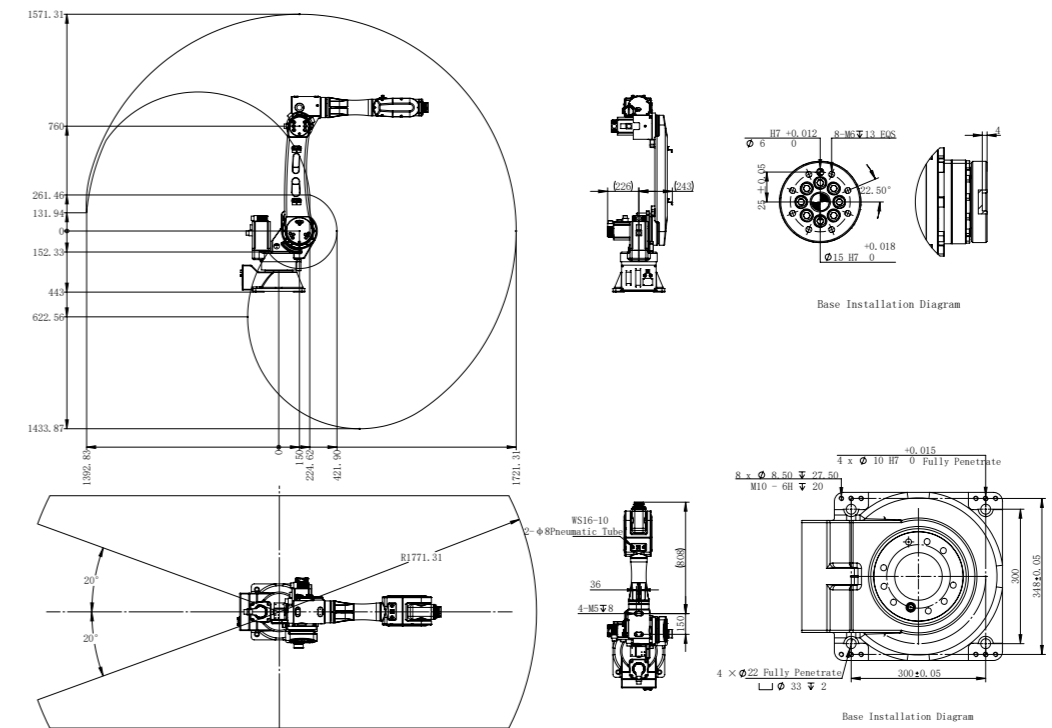
# TKB2670

Payload: 20kg  
Arm Reach: 1721mm

Model	TKB2670	
Payload	20kg	
Maximum Working Range	1721mm	
DOF	6 axes	
Body Weight	210kg	
Rated Power	4.5kw	
Max Speed	J1	186°/s
	J2	186°/s
	J3	200°/s
	J4	452°/s
	J5	400°/s
	J6	555°/s
Max Operation Area	J1	±160°
	J2	-90°~150°
	J3	-100°~80°
	J4	±150°
	J5	±110°
	J6	±360°
IP Rating	IP54/IP67 (5&6 axes optional)	
Position Repeatability ※	±0.05mm	
Controller	TRC5-B06	
Working Temperature	0~45°C	

※This precision applies to the Turin Intelligence series.

## Working Range



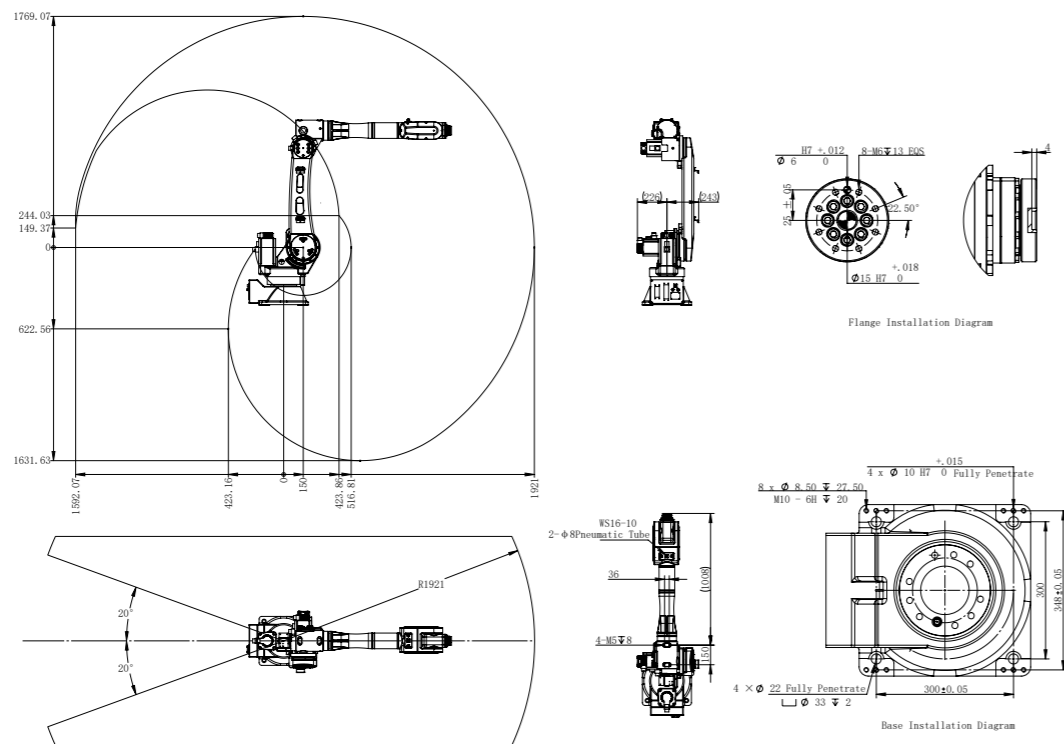
# TKB2690

Payload: 20kg  
Arm Reach: 1920mm

Model	TKB2690	
Payload	20kg	
Maximum Working Range	1920mm	
DOF	6 axes	
Body Weight	220kg	
Rated Power	4.7kw	
Max Speed	J1	186°/s
	J2	186°/s
	J3	200°/s
	J4	452°/s
	J5	400°/s
	J6	555°/s
Max Operation Area	J1	±160°
	J2	-80°~150°
	J3	-100°~80°
	J4	±150°
	J5	±110°
	J6	±360°
IP Rating	IP54/IP67(5&6 axes optional)	
Position Repeatability ※	±0.05mm	
Controller	TRC5-B06	
Working Temperature	0~45°C	

※This precision applies to the Turin Intelligence series.

## Working Range



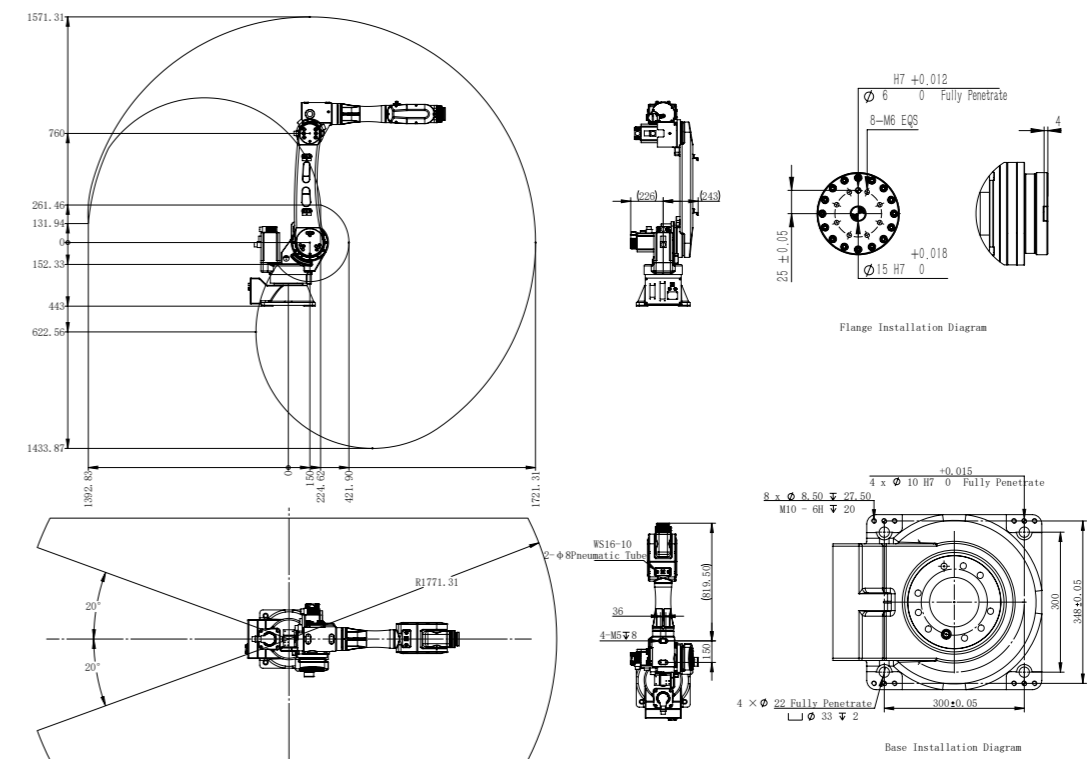
# TKB3670

Payload: 30kg  
Arm Reach: 1721mm

Model	TKB3670	
Payload	30kg	
Maximum Working Range	1721mm	
DOF	6 axes	
Body Weight	220kg	
Rated Power	5kw	
Max Speed	J1	186°/s
	J2	170°/s
	J3	200°/s
	J4	452°/s
	J5	330°/s
	J6	450°/s
Max Operation Area	J1	±160°
	J2	-80°~150°
	J3	-100°~80°
	J4	±150°
	J5	±110°
	J6	±360°
IP Rating	IP54/IP67(5&6 axes optional)	
Position Repeatability ※	±0.05mm	
Controller	TRC5-B06	
Working Temperature	0~45°C	

※This precision applies to the Turin Intelligence series.

## Working Range





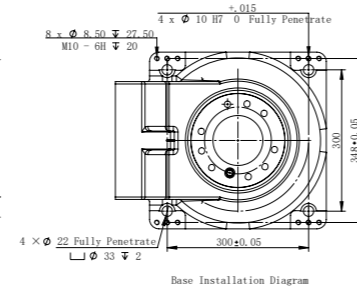
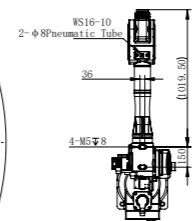
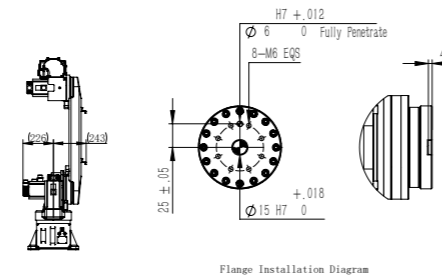
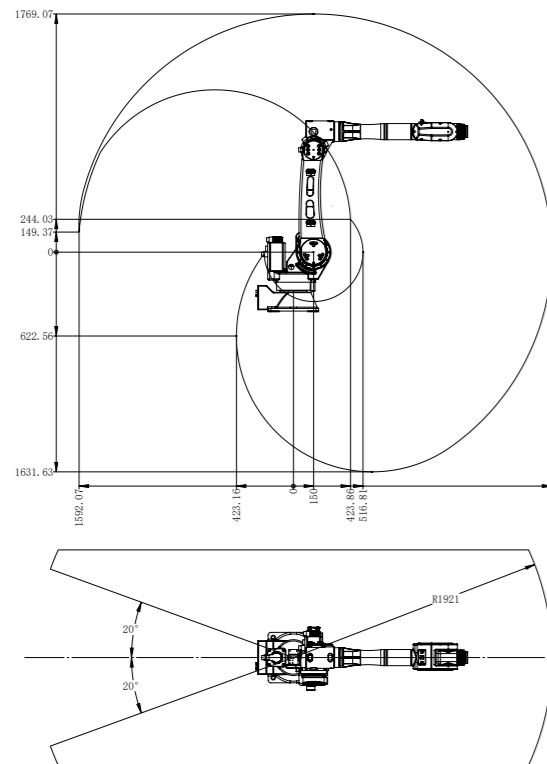
# TKB3690

Payload: 30kg  
Arm Reach: 1920mm

Model	TKB3670	
Payload	30kg	
Maximum Working Range	1920mm	
DOF	6 axes	
Body Weight	220kg	
Rated Power	5.2kw	
Max Speed	J1	186°/s
	J2	170°/s
	J3	200°/s
	J4	452°/s
	J5	330°/s
	J6	450°/s
Max Operation Area	J1	±160°
	J2	-80°~150°
	J3	-100°~80°
	J4	±150°
	J5	±110°
	J6	±360°
IP Rating	IP54/IP67 (5&6 axes optional)	
Position Repeatability ※	±0.05mm	
Controller	TRC5-B06	
Working Temperature	0~45°C	

※ This precision applies to the Turin Intelligence series.

## Working Range



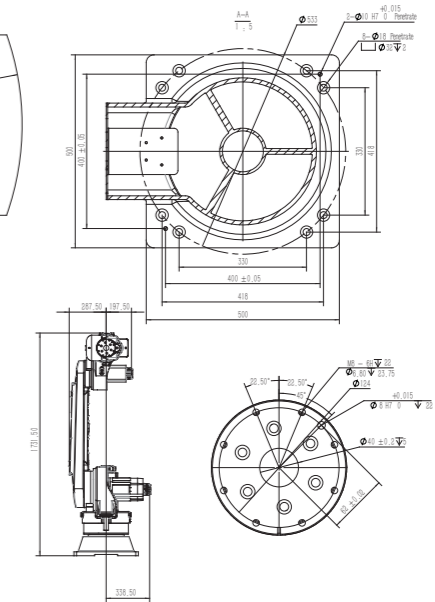
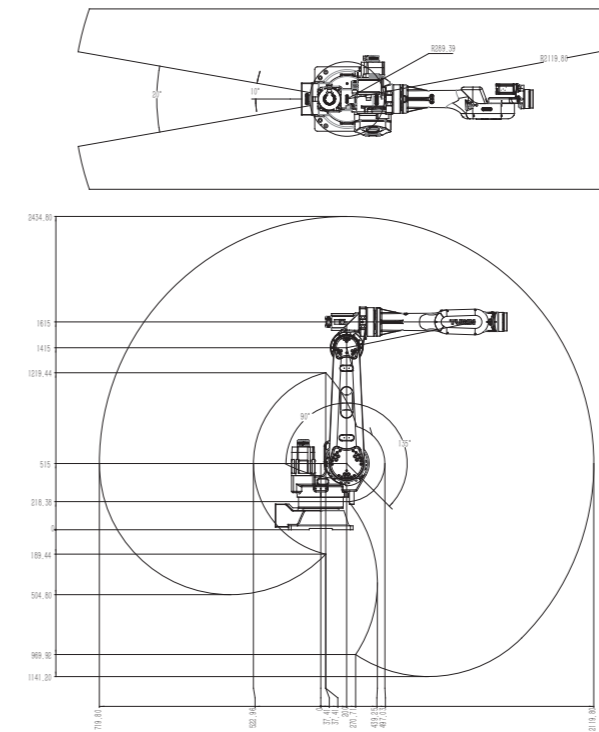
# TKB5600

Payload: 60kg  
Arm Reach: 2119mm

Model	TKB5600	
Payload	60kg	
Maximum Working Range	2119mm	
DOF	6 axes	
Body Weight	600kg	
Rated Power	6.5kw	
Max Speed	J1	127°/s
	J2	105°/s
	J3	165°/s
	J4	253°/s
	J5	250°/s
	J6	372°/s
Max Operation Area	J1	±170°
	J2	-90°~135°
	J3	-185°~90°
	J4	±200°
	J5	±105°
	J6	±360°
IP Rating	IP54	
Position Repeatability ※	±0.08mm	
Controller	TRC3-C06	
Working Temperature	0~45°C	

※ This precision applies to the Turin Intelligence series.

## Working Range



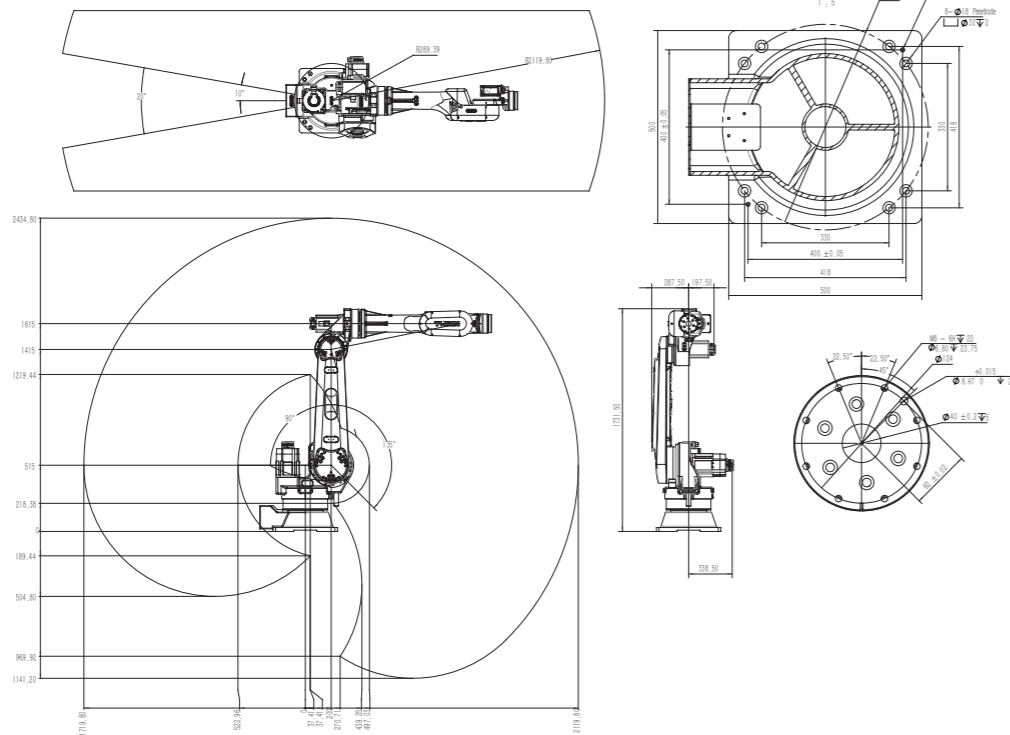
# TKB5700

Payload: 70kg  
Arm Reach: 2119mm

Model	TKB5700	
Payload	70kg	
Maximum Working Range	2119mm	
DOF	6 axes	
Body Weight	600kg	
Rated Power	6.8kw	
Max Speed	J1	127°/s
	J2	105°/s
	J3	165°/s
	J4	253°/s
	J5	220°/s
	J6	372°/s
Max Operation Area	J1	±170°
	J2	-90°~135°
	J3	-185°~90°
	J4	±200°
	J5	±105°
	J6	±360°
IP Rating	IP54	
Position Repeatability ※	±0.08mm	
Controller	TRC3-C06	
Working Temperature	0~45°C	

※ This precision applies to the Turin Intelligence series.

## Working Range



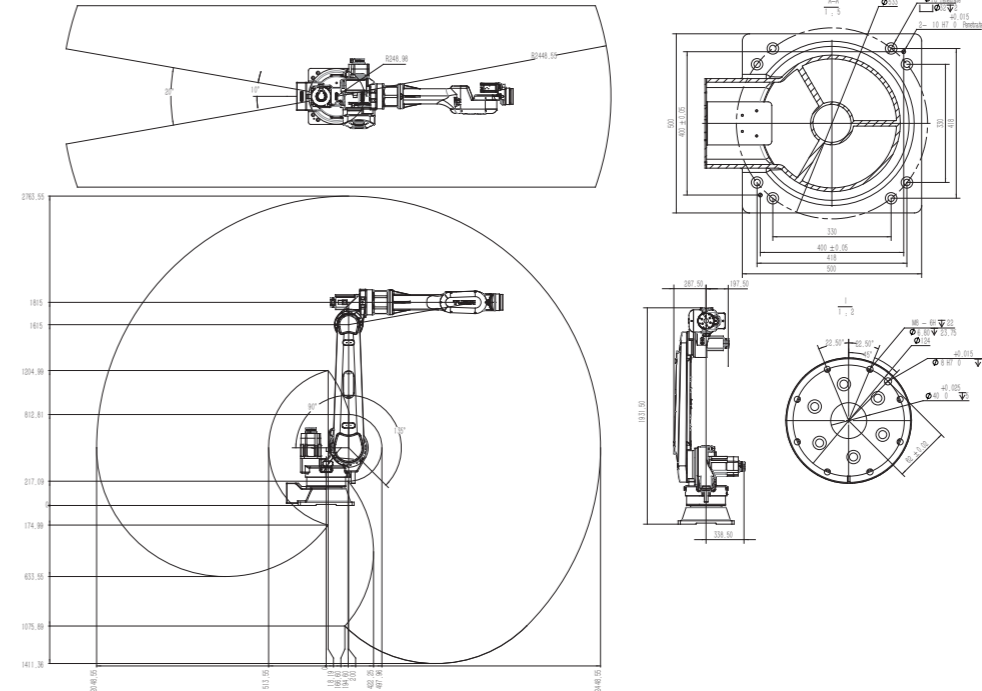
# TKB5800

Payload: 50kg  
Arm Reach: 2448mm

Model	TKB5800	
Payload	50kg	
Maximum Working Range	2448mm	
DOF	6 axes	
Body Weight	650kg	
Rated Power	7kw	
Max Speed	J1	127°/s
	J2	105°/s
	J3	150°/s
	J4	231°/s
	J5	250°/s
	J6	372°/s
Max Operation Area	J1	±170°
	J2	-90°~135°
	J3	-185°~90°
	J4	±200°
	J5	±120°
	J6	±360°
IP Rating	IP54	
Position Repeatability ※	±0.08mm	
Controller	TRC3-C06	
Working Temperature	0~45°C	

※ This precision applies to the Turin Intelligence series.

## Working Range



# RRB6700

Payload: 210kg  
Arm Reach: 2700mm

Model	RRB6700	
Payload	210kg	
Maximum Working Range	2700mm	
DOF	6 axes	
Body Weight	1300kg	
Rated Power	8.5kw	
Max Speed	J1	114°/s
	J2	83°/s
	J3	95°/s
	J4	180°/s
	J5	165°/s
	J6	219°/s
Max Operation Area	J1	±185°
	J2	-50°~ 85°
	J3	-180°~ 70°
	J4	±360°
	J5	±125°
	J6	±360°
IP Rating	IP54/IP65 (5&6 axes optional)	
Position Repeatability ※	±0.1mm	
Controller	TRC3-D06	
Working Temperature	0~45°C	

※This precision applies to the Turin Intelligence series.

## Working Range



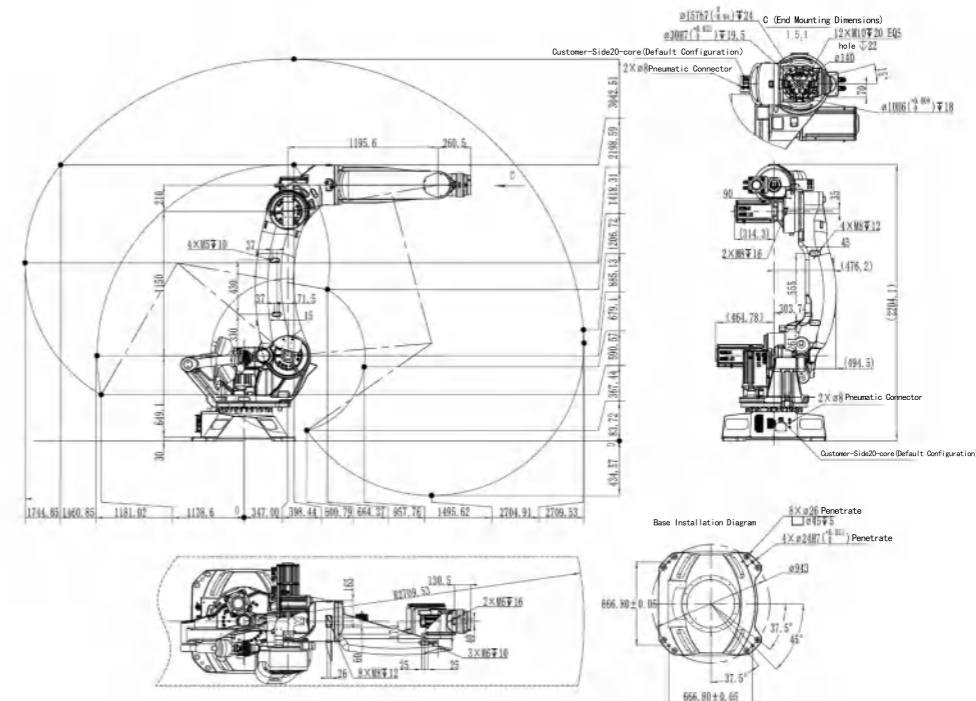
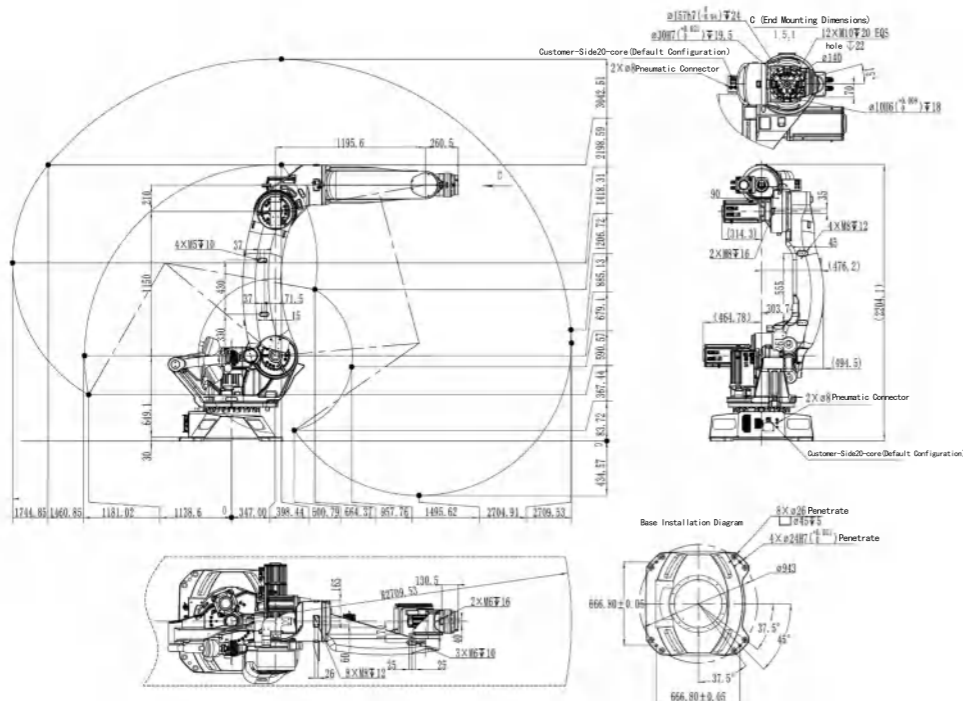
# RRB6600

Payload: 155kg  
Arm Reach: 3200mm

Model	RRB6600	
Payload	155kg	
Maximum Working Range	3200mm	
DOF	6 axes	
Body Weight	1320kg	
Rated Power	7.5kw	
Max Speed	J1	110°/s
	J2	83°/s
	J3	95°/s
	J4	150°/s
	J5	150°/s
	J6	200°/s
Max Operation Area	J1	±185°
	J2	-40°~ 85°
	J3	-180°~ 75°
	J4	±360°
	J5	±125°
	J6	±360°
IP Rating	IP54/IP65 (5&6 axes optional)	
Position Repeatability ※	±0.1mm	
Controller	TRC3-D06	
Working Temperature	0~45°C	

※This precision applies to the Turin Intelligence series.

## Working Range





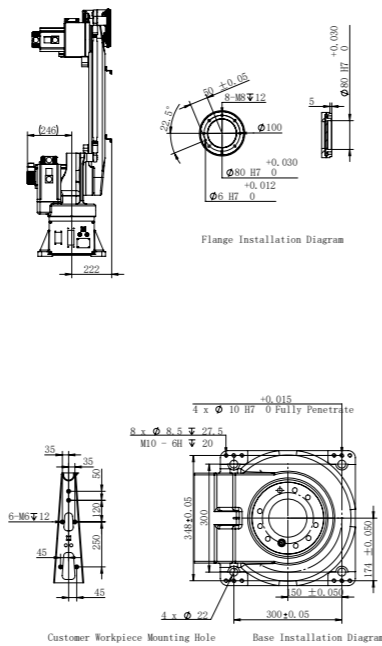
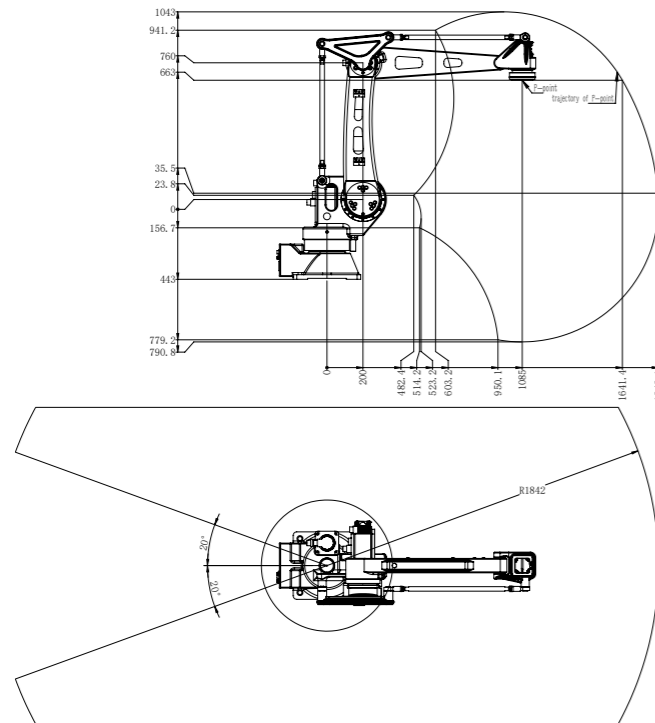
# TKB460

Payload: 30kg  
Arm Reach: 1840mm

Model	TKB460	
Payload	30kg	
Maximum Working Range	1840mm	
DOF	4 axes	
Body Weight	240kg	
Rated Power	4.2kw	
Max Speed	J1	200°/s
	J2	175°/s
	J3	175°/s
	J4	360°/s
Max Operation Area	J1	±175°
	J2	-35°~85°
	J3	-90°~70°
	J4	±360°
IP Rating	IP54	
Position Repeatability ※	±0.08mm	
Controller	TRC5-B06/TRC3-D06	
Working Temperature	0~45°C	

※This precision applies to the Turin Intelligence series.

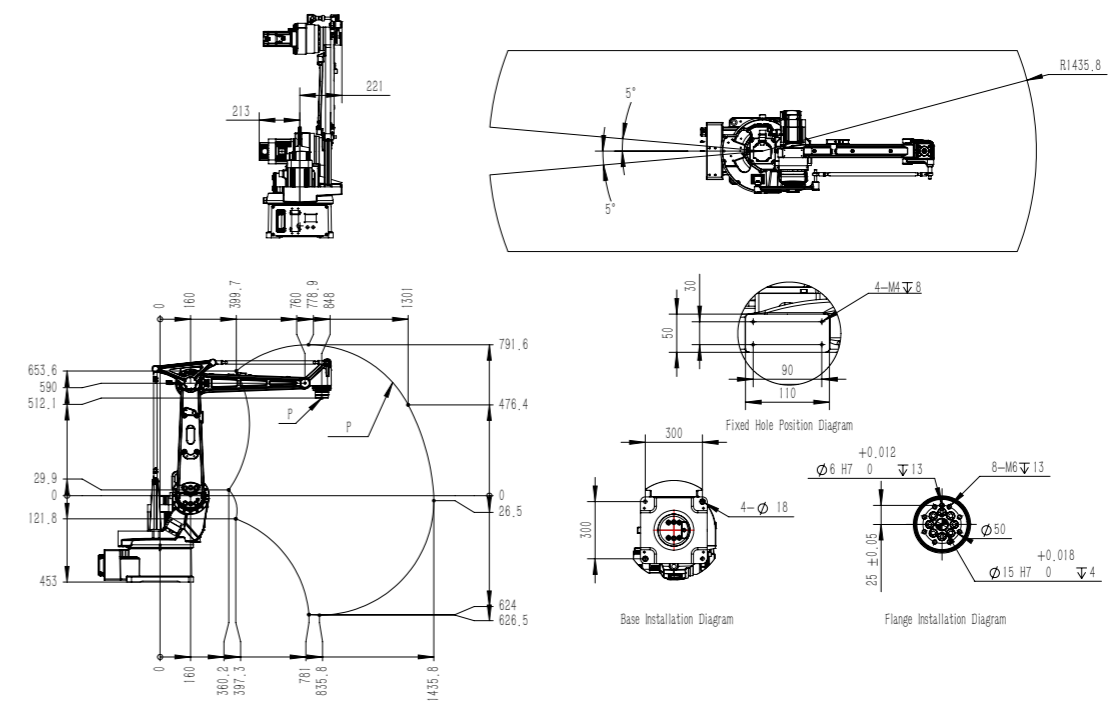
## Working Range



Model	TKB4600	
Payload	12kg	
Maximum Working Range	1435mm	
DOF	4 axes	
Body Weight	175kg	
Rated Power	2.5kw	
Max Speed	J1	210°/s
	J2	205°/s
	J3	185°/s
	J4	500°/s
Max Operation Area	J1	±175°
	J2	-35°~85°
	J3	-90°~70°
	J4	±330°
IP Rating	IP54	
Position Repeatability ※	±0.08mm	
controller	TRC5-B06	
Working Temperature	0~45°C	

※This precision applies to the Turin Intelligence series.

## Working Range



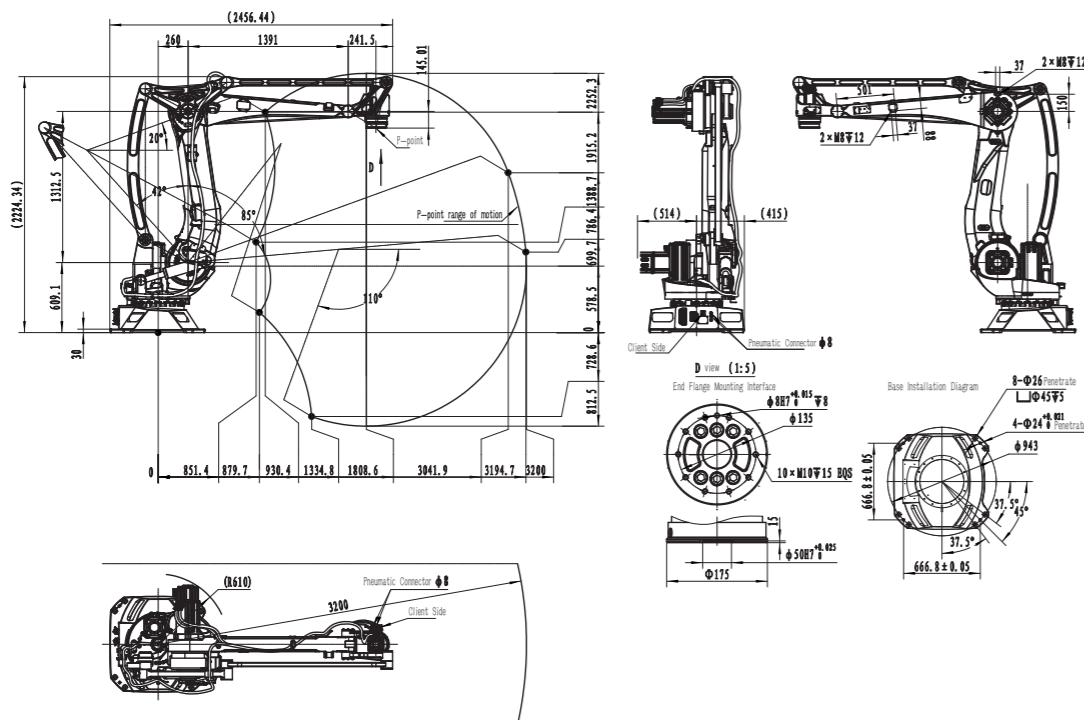
# TKB660

Payload: 180kg  
Arm Reach: 3200mm

Model	TKB660	
Payload	180kg	
Maximum Working Range	3200mm	
DOF	4 axes	
Body Weight	1193kg	
Rated Power	5.5kw	
Max Speed	J1	105°/s
	J2	83°/s
	J3	129.5°/s
	J4	270°/s
Max Operation Area	J1	±185°
	J2	-42°~85°
	J3	-20°~110°
	J4	±360°
IP Rating	IP54/IP65(4 axes optional)	
Position Repeatability ※	±0.01mm	
Controller	TRC3-D06	
Working Temperature	0~45℃	

※This precision applies to the Turin Intelligence series.

## Working Range



# Turin TRP04 Teach Pendant

Model	TRP04-DS	TRP04-QT
Main Chipset	REALTEK	ARM
Memory	/	512MBDDR
Storage Capacity	/	4G Flash
Operating System	/	LINUX
Touch Screen	Resistive	
IDE	/	QT5.15
USB	/	USB2.0HOST
Screen Resolution	8 Inch TFT Resolution 1024*768	
Keys	12 Log Keys, 4 Program Control Keys, 4 Custom Function Keys	
Switches	Emergency Stop Switch, Enable Switch, Mode Switch	
Protection Level	IP54	
Communication	LVDS	Ethernet
Cable Length	5m	10/15/20/30m
Operating Temperature	Temperature: -30° ~80°	
Dimensions	290*240*53	



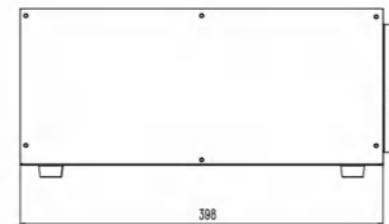
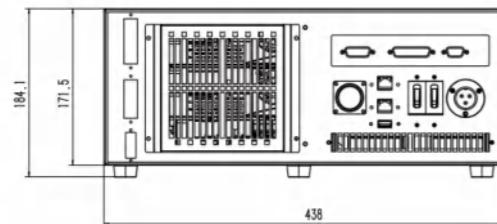
- High-performance processor: The control cabinet is equipped with a high-performance processor to ensure stable operation and high-speed data transmission, enabling complex multi-axis motion control.
- Diverse Communication Interfaces: The TRP04 teaching pendant supports various communication interfaces such as Ethernet, serial ports, CAN bus, etc., facilitating connection and data interaction with a variety of industrial equipment.
- Remote Monitoring and Debugging: Accessing the TRP04 teaching pendant remotely via the Internet allows real-time monitoring of the robot's operational status, enabling remote debugging and program updates, significantly improving work efficiency.

## TRC4-A03 Control Cabinet

Model	TRC4-A03
Installation Method	Vertical installation
Standard IO	Input: 18 channels (NPN); Output: 10 channels (relay)
Communication Interface	Ethernet port: Used for TCP/IP, Modbus TCP, Ethernet/IP, MC communication protocols
	EtherCAT Port: Used to expand external shafts
	Expandable Modbus-TCP to RS232 and RS485 serial server
	USB 2.0 interface: Program backup and loading, export of machine, customer, and personnel status information
Control Method	PC programming platform control, teach pendant control, remote IO control, remote Modbus control, API control
IP Rating	IP54
Operating Environment Conditions	Temperature: 0°C to 40°C Humidity: 20% to 95% RH (30°C) (No condensation)
Dimensions	438mmx398mmx185mm
Weight	12kg
Applicable Robots	STG030 \ STG100 \ STH030 \ STH100 \ STH200 \ STW030 \ STW060 TKB1010 \ TRB050 \ TKB060 \ TKB070 \ TKB1100 \ TKB1210



### External Dimensions of the Control Cabinet

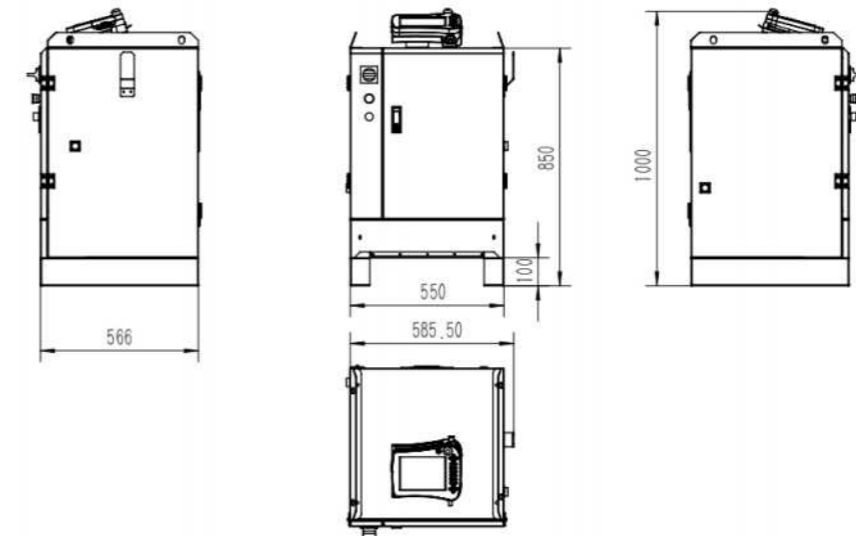


## TRC5-B06 Control Cabinet

Model	TRC5-B06
Installation Method	Vertical installation
Standard IO	Input: 18 channels (NPN); Output: 10 channels (relay) Welding: Input: 6 channels (NPN) / Output: 10 channels (Relay); 2 AO (Analog Output)
Communication Interface	Ethernet port: Used for TCP/IP, Modbus TCP, Ethernet/IP, MC communication protocols
	EtherCAT Port: Used to expand external shafts
	Expandable Modbus-TCP to RS232 and RS485 serial server
	USB 2.0 interface: Program backup and loading, export of machine, customer, and personnel status information
Control Method	PC programming platform control, teach pendant control, remote IO control, remote Modbus control, API control
IP Rating	IP65
Operating Environment Conditions	Temperature: 0°C to 40°C Humidity: 20% to 95% RH (30°C) (No condensation)
Dimensions	850mmx550mmx566mm
Weight	76kg
Applicable Robots	TCR300 \ TKB1400 \ TKB1440 \ TKB2030 \ TKB1600 \ TKB2670 \ TKB2690 \ TKB3690 \ TKB460 \ TKB4600 \ TKB3670



### External Dimensions of the Control Cabinet



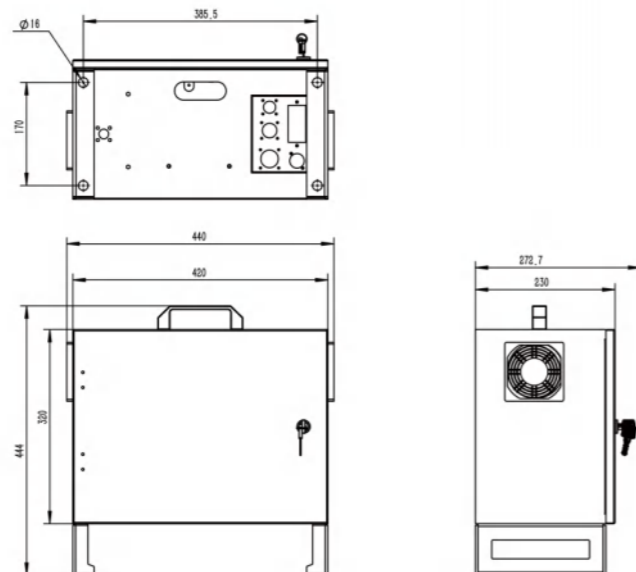


## TRC5-G06 Control Cabinet

Model	TRC5-G06
Installation Method	Vertical installation
Standard IO	Input: 10 channels (NPN) Output: 14 channels (NPN)
Communication Interface	Ethernet port: Used for TCP/IP, Modbus TCP, Ethernet/IP, MC communication protocols
	EtherCAT Port: Used to expand external shafts
	Expandable Modbus-TCP to RS232 and RS485 serial server
	USB 2.0 interface: Program backup and loading, export of machine, customer, and personnel status information
Control Method	PC programming platform control, teach pendant control, remote IO control, remote Modbus control, API control
IP Rating	IP54
Operating Environment Conditions	Temperature: 0°C to 40°C Humidity: 20% to 95% RH (30°C) (No condensation)
Dimensions	420mmx235mmx405mm
Weight	14kg
Applicable Robots	TCR030\TCR050\TCR100\TCR200



### External Dimensions of the Control Cabinet

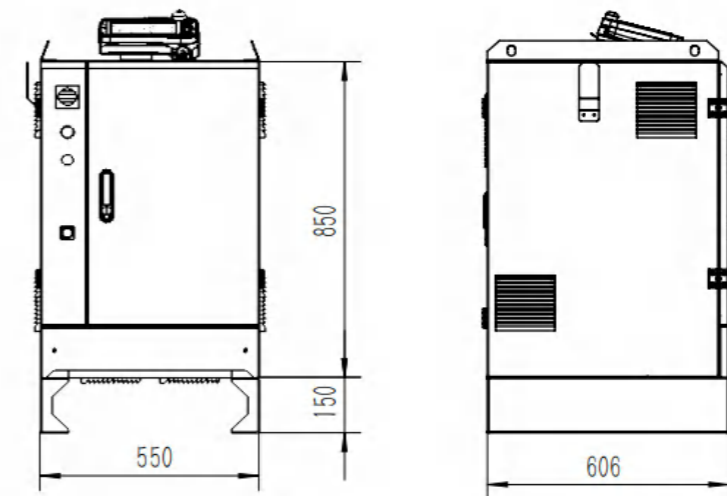


## TRC3-C06 Control Cabinet

Model	TRC3-C06
Installation Method	Vertical installation
Standard IO	Input: 10 channels (NPN) ;Output: 14 channels (Relay)
Communication Interface	Ethernet port: Used for TCP/IP, Modbus TCP, Ethernet/IP, MC communication protocols
	EtherCAT Port: Used to expand external shafts
	Expandable Modbus-TCP to RS232 and RS485 serial server
	USB 2.0 interface: Program backup and loading, export of machine, customer, and personnel status information
Control Method	PC programming platform control, teach pendant control, remote IO control, remote Modbus control, API control
IP Rating	IP54
Operating Environment Conditions	Temperature: 0°C to 40°C Humidity: 20% to 95% RH (30°C) (No condensation)
Dimensions	1000mmx550mmx606mm
Weight	100kg
Applicable Robots	TKB5600\TKB5700\TKB5800



### External Dimensions of the Control Cabinet

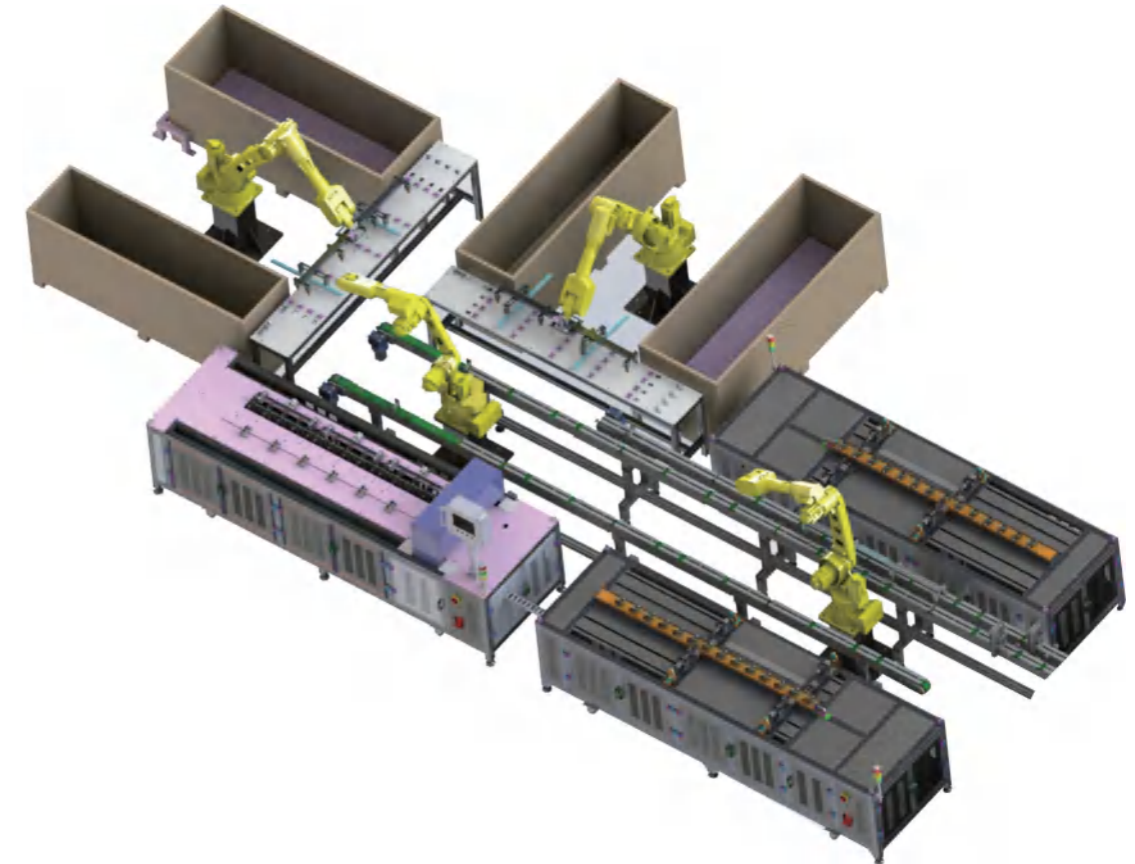


## TRC3-D06 Control Cabinet

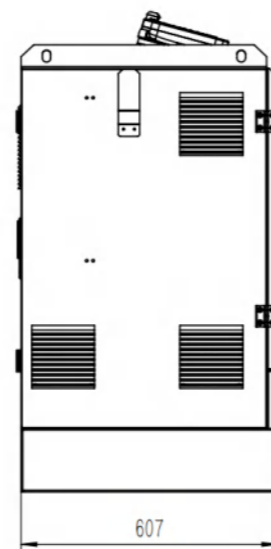
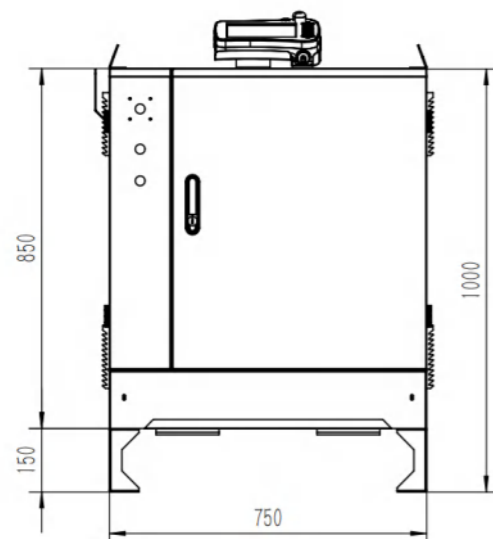
Model	TRC3-D06
Installation Method	Vertical installation
Standard IO	Input: 10 channels (NPN) ;Output: 14 channels (Relay)
Communication Interface	Ethernet port: Used for TCP/IP, Modbus TCP, Ethernet/IP, MC communication protocols
	EtherCAT Port: Used to expand external shafts
	Expandable Modbus-TCP to RS232 and RS485 serial server
	USB 2.0 interface: Program backup and loading, export of machine, customer, and personnel status information
Control Method	PC programming platform control, teach pendant control, remote IO control, remote Modbus control, API control
IP Rating	IP54
Operating Environment Conditions	Temperature: 0°C to 40°C Humidity: 20% to 95% RH (30°C) (No condensation)
Dimensions	1000mmx750mmx607mm
Weight	140kg
Applicable Robots	RRB6700\TKB4600\TKB460\TKB660



## Industrial Robot Application Scenarios



### External Dimensions of the Control Cabinet



TURIN Robot's self-developed robot bodies and control cabinets as well as turnkey automation solutions and other technical services have been widely and successfully applied in welding, painting, grinding, teaching, assembly, sorting, machine loading and unloading, palletizing and other industries. Due to stable performance and cost-effective robots have won customer recognition and a repurchase rate of up to 90 %. TURIN robots are not only widely used in traditional industrial scenarios, but also in automotive parts, 3C electronics, metal processing, packaging logistics, university research and other applications, and TURIN robots have gradually started to enter some new fields, such as medical, textile, electric power, new retail, new energy, etc.



## Industrial Robot Application Scenarios

### Welding Automation

Turin's new generation of welding technology pursues intelligent adaptation to different scenarios, flexible trajectory execution, and combines technologies such as laser tracker, 3D vision system, and offline trajectory generation. This enables the robot to meet the welding needs of multiple scenarios, with capabilities such as anti-external



One automatic welding robot can replace the workload of two to three welders, while ensuring welding quality, increasing product qualification rates, shortening product iteration cycles, enhancing customer trust, and improving market competitiveness. quality, increasing product qualification rates, shortening product iteration

### Loading and Unloading Automation

Turin's industrial robots used for loading and unloading tasks possess characteristics such as high-precision positioning, stability, flexibility, and continuous operation. Additionally, they are equipped with force auxiliary devices, torque sensors, and visual positioning that satisfy the demands of complex loading and unloading requirements.



Automotive component loading & unloading



Linear machine tool loading & unloading



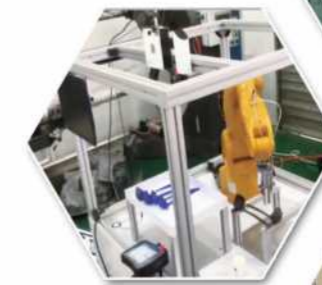
Island-type machine tool loading & unloading

### Handling and Palletizing Automation

Turin's palletizing and handling robots cover various industries. Traditional manual methods have proven to be inefficient in terms of material transportation. A robot that can replace human labor in carrying out repetitive and heavy-duty tasks can help reduce transport costs, increase a company's output rate, and improve efficiency. The use of TURIN robots eliminates



Storage enclosure visual-guided handling



Unordered Grasping Based on



Handling of Hot Parts



Handling of Motor Stator Silicone Steel Sheets



Pallet Destacking and Handling



Photovoltaic basket handling



Battery Handling in Lithium Battery Industry

### Dispensing and Gluing Automation

With Turin's independently developed offline programming software, complex continuous surface trajectories can be generated automatically and executed by industrial robots equipped with advanced motion control technology. The control of steady pressure and custom mechanical structures can meet the demands for dispensing and gluing applications.



Gluing of washing machine covers



Gluing of control cabinet doors



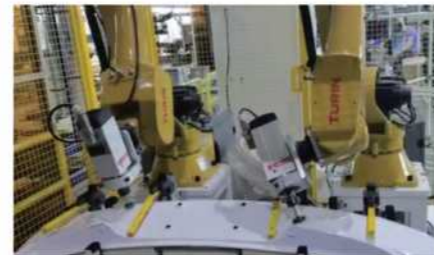
## Industrial Robot Application Scenarios

### Polishing Automation

Polishing applications are often difficult in terms of programming, high-frequency vibration, and ensuring constant torque output. Turin's proprietary offline programming software and customized mechanical structures equipped with force control technologies can resolve the difficulties of polishing applications.



Deburring of castings



Polishing

### Screw Locking Automation

Equipped with screw-locking process packages, Turin's industrial robots possess features such as torque feedback, multi-stage torque control, as well as the ability to detect abnormal scenarios such as missing screws and slipping threads. These robots can satisfy customer demands.



TKB060 visual-guided screw fastening



TKB070 screw fastening



Notebook C-side screw fastening



Household appliances screw fastening

## Collaborative Robot Application Scenarios

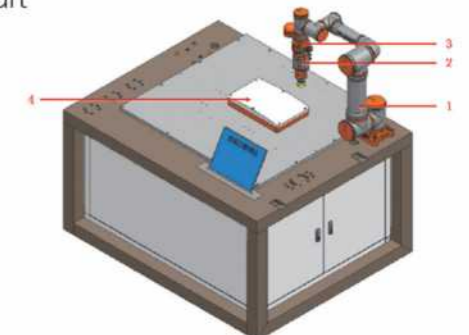
Collaborative robots, designed to work alongside humans in the same environment, have a wide range of applications. Our company specializes in the research, development, application, and promotion of human-robot collaborative robots, striving to provide the best welding automation solutions for manufacturing industry upgrading and transformation. Our team of highly skilled engineers can provide customers with a full range of technical solutions, quickly offering industry 4.0 automation solutions that are both operational and practical.



Automatic coffee art



Automatic labeling machines



Curved surface polishing



Light bulb grabbing



Household appliances screw tightening



Collaborative AGV

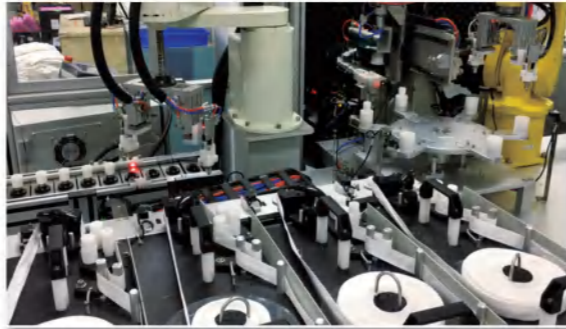


# Other Application Scenarios

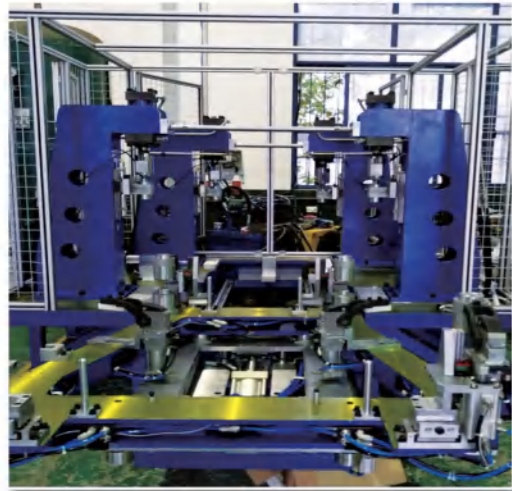
# Partners



Emergency response in 3C industry smart data center



LED assembly in lighting industry



Production line for automotive front beam pressing equipment



Laser cutting



Fully-automated factory of a Fortune Global 500 environmental company



Educational demonstration workstation

